



**2005-2006
Precedent Golf Car
Illustrated Parts List**



Gasoline and Electric Vehicles

Manual Number 102680301
Edition Code 0406J0408H

USING THE ILLUSTRATED PARTS LIST

⚠ WARNING

- **This manual is to be used only for identification and ordering of service parts. Be sure to read and use the maintenance and service manual before attempting any vehicle repairs.**

This manual covers all 2005 and 2006 Club Car® Precedent® Professional and Champion vehicles.

The manual is divided into 17 sections. Sections 1 through 5 pertain to both gasoline and electric vehicles, sections 6 through 12 pertain to gasoline vehicles only, sections 13 through 16 pertain to electric vehicles only, and section 17 pertains to tools that are used on all Club Car products. Note that there are two or three flags on the outside edge of each page. The first flag contains the section number of which that page is a part. The other flag (or flags) contains either the letter G or E, signifying that the page pertains to either the gasoline or electric vehicle only, or to both the gasoline and electric vehicles.

Use the Table of Contents to find the sections and pages that contain the parts and assemblies you seek. The Table of Contents lists section numbers, and under them, the individual page titles and numbers to be found in that section. The index can be used to find specific parts and assemblies. The index is divided into numerical and alphabetical listings with the page numbers in italic text.

There is a two-page spread for each individual page title in the Table of Contents. On the left-hand page is an illustration showing the parts in their relative positions; the parts are each tagged with an item number in a balloon. The right-hand page is the parts list page, and gives the page title at the top, then the item numbers (corresponding to the numbers on the illustration), part descriptions, and quantity of parts used. Some item numbers have more than one part number because several configurations of a component are represented together on one spread.

Note that a part description may be indented. This indentation corresponds to a parts assembly level indicated by the numbers 1, 2, 3, and 4 at the top left corner of the parts description area of the parts list page. A part that is indented to *level 2* is a component of the *level 1* part (assembly) that it is listed under. A *level 3* part is a component of the *level 2* part that it is listed under, and a *level 4* part is a component of the *level 3* part preceding it. In each case, the part quantity given for a level 2, 3, or 4 part is *the quantity used per next higher level assembly of which it is a component*. A part that is not indented is a *level 1* part. This means that the quantity given is the quantity used per the portion of the vehicle illustrated on that particular spread.

HOW TO ORDER PARTS

Replacement parts and accessories can be obtained from our network of authorized dealers and distributors. You can obtain the name and phone number of your closest authorized Club Car dealer or distributor by visiting our web site at www.clubcar.com and clicking on the "*Distributor Search*" link or by calling our toll-free Service Parts and Technical Assistance hotline at (800) 872-2246 or (706) 863-3000, extension 3887.



P. O. Box 204658
Augusta, Georgia 30917-4658 USA
Telephone 706-863-3000
Service Parts Fax 706-855-7413
www.clubcar.com

NOTE: *This illustrated parts list represents the most current information at the time of publication. Club Car, Inc. is continually working to further improve its vehicles and other products. These improvements may affect the parts used to service the vehicle. Any modification and/or significant change in specifications will be forwarded to all Club Car and Carryall distributors/dealers and will, when applicable, appear in future editions of this illustrated parts list.*

Club Car, Inc. reserves the right to change specifications and designs at any time without notice and without the obligation of making changes to units previously sold.

Copyright © 2006, 2007 Club Car, Inc.
Club Car, Precedent, and Surlyn
are registered trademarks of Club Car, inc.
This manual effective July 26, 2004.

2005-2006 Precedent Golf Cars Illustrated Parts List

CONTENTS

SECTION 1 – BODY AND TRIM

Front Bumper	1-3
Front Body	1-5
Dash – Style A	1-7
Floor Mat, Retainer, and Front Underbody – Style B	1-9
Kick Plate – Gasoline Vehicle	1-11
Kick Plate – Electric Vehicle	1-13
Seat with Hip Restraints	1-15
Backrest and Structural Accessory Module (SAM)	1-17
Rear Body	1-19
Bagwell Liner	1-21
Underbody Covers (Vehicle Without Canopy)	1-23
Canopy Snap-In Drain Cover	1-25
Canopy – Beige	1-27
Canopy – White	1-29
Rear Seat – Precedent Villager 4	1-31
Rear Footrest Assembly – Precedent Villager 4	1-33
Four Passenger Conversion Kit – Beige	1-35
Four Passenger Conversion Kit – White	1-37
Four Passenger Conversion Kit – Gray	1-39

SECTION 2 – WHEEL AND TIRES

Wheels and Tires – Professional	2-3
Wheels and Tires – Champion	2-5

SECTION 3 – DECALS

Decals – Gasoline Vehicle	3-3
Decals – Electric Vehicle	3-5
Decal – Precedent Villager 4	3-7

SECTION 4 – BRAKES AND PEDAL GROUP ASSEMBLIES

Rear Brake Assembly, Self-Adjusting	4-3
Brake Cables	4-5
Pedal Group Connections – Gasoline Vehicle	4-7
Pedal Group Connections – Electric Vehicle	4-9
Pedal Group Components – Gasoline Vehicle	4-11
Pedal Group Components – Electric Vehicle	4-13

CONTENTS

SECTION 5 – STEERING, FRONT AND REAR SUSPENSION

Steering Wheel – Champion	5-3
Steering Wheel – Professional	5-5
Steering Column – Gasoline Vehicles	5-7
Steering Column – Electric Vehicles	5-9
Steering Gear Assembly	5-11
Front Suspension, Upper	5-13
Front Suspension, Lower	5-15
Rear Suspension – Gasoline Vehicle	5-17
Rear Suspension – Electric Vehicle	5-19
Rear Suspension – Precedent Villager 4	5-21

SECTION 6 – ELECTRICAL SYSTEM – GASOLINE VEHICLE

Electrical Components, Front Body – Gasoline Vehicle	6-3
Battery – Gasoline Vehicle	6-5
Wiring – Gasoline Vehicle	6-9
Instrument Panel Wire Harness	6-13
Starter/Generator Assembly Model G425419 – Gasoline Vehicles	6-15
Starter/Generator Mounting – FE290	6-17
Starter/Generator Mounting – FE350	6-19

SECTION 7 – FE290 ENGINE

FE290 Engine – Shrouds and Brackets	7-3
FE290 Engine – Ignition Components and Flywheel	7-5
FE290 Engine – Oil Circulation	7-7
FE290 Engine – Cylinder Head	7-9
FE290 Engine – Crankcase, Camshaft, and Oil Sensor	7-11
FE290 Engine – Crankcase and Crankshaft	7-13
FE290 Engine Mounting	7-15

SECTION 8 – FE350 ENGINE

FE350 Engine without ACR (Automatic Compression Release) – Shrouds and Brackets	8-3
FE350 Engine – Ignition Components and Flywheel	8-5
FE350 Engine – Oil Circulation	8-7
FE350 Engine – Cylinder Head	8-9
FE350 Engine without ACR – Crankcase, Camshaft, and Oil Sensor	8-11
FE350 Engine – Crankcase and Crankshaft	8-13
FE350 Engine Mounting	8-15

CONTENTS

SECTION 9 – FUEL, INTAKE, AND GOVERNOR SYSTEMS

Fuel System	9-3
Carburetor Assembly – FE290	9-5
Carburetor Assembly – FE350	9-7
Carburetor Installation – FE290	9-9
Carburetor Installation – FE350	9-11
Governor and Accelerator Cables	9-13
Choke and Air Box Assembly	9-15

SECTION 10 – EXHAUST SYSTEM

Exhaust System – FE290	10-3
Exhaust System – FE350	10-5

SECTION 11 – TORQUE CONVERTER

Drive Clutch	11-3
Drive Belt	11-5
Driven Clutch	11-7

SECTION 12 – UNITIZED TRANSAXLE

Unitized Transaxle – Gear Cases and Brackets	12-3
Unitized Transaxle – F&R Transmission and Gear Reduction – Earlier Version	12-5
Unitized Transaxle – F&R Transmission and Gear Reduction – Later Version	12-7
Unitized Transaxle – Differential and Axles	12-9
Forward/Reverse Shifter Assembly – Gasoline Vehicle	12-11
Transmission Cable – 2005 Vehicle	12-13
Transmission Cable – 2006 Vehicle	12-15

SECTION 13 – ELECTRICAL SYSTEM – ELECTRIC VEHICLE

Electrical Components, Front Body – Electric Vehicle	13-3
Wiring – Electric Vehicle	13-7
Forward/Reverse Switch and Tow/Run Switch – Electric Vehicle	13-9
Single Point Watering System	13-11
Batteries, Bucket, and Charger Receptacle – Electric Vehicle	13-13
Computer, Controller, and Solenoid – Electric Vehicle	13-15

SECTION 14 – ELECTRIC MOTOR

Motor (Model 5BC59JBS6365) – Electric Vehicle	14-3
---	------

CONTENTS

Motor (Model 5BC59JBS6365A) – Electric Vehicle (Later Version)	14-5
Motor (Model EJ4-4001) – Electric Vehicle	14-7

SECTION 15 – TRANSAXLE – ELECTRIC VEHICLES

Transaxle – Electric Vehicle (Earlier Version)	15-3
Transaxle – Electric Vehicle (Later Version)	15-5

SECTION 16 – BATTERY CHARGER

PowerDrive 3 Battery Charger, Domestic	16-3
PowerDrive 2 Battery Charger (Model 22110), Domestic	16-5
PowerDrive Battery Charger (Model 17930), Domestic	16-7
PowerDrive Battery Charger (Model 18780), Export	16-9
PowerDrive Battery Charger (Model 20310), European	16-11

SECTION 17 – MAINTENANCE AND SERVICE TOOLS

Maintenance and Service Tools	17-3
Maintenance and Service Tools, Continued	17-5
Maintenance and Service Tools, Continued	17-7
Maintenance and Service Tools, Continued	17-9
Maintenance and Service Tools, Continued	17-11

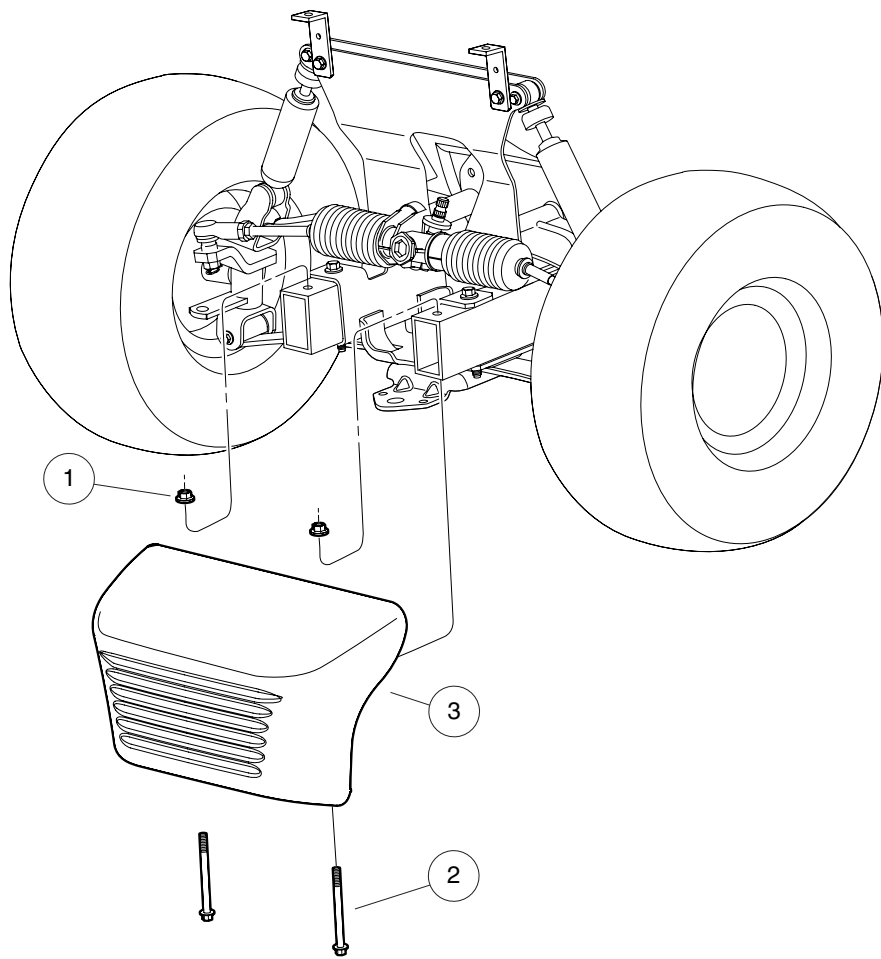
SECTION i – INDEX

BODY AND TRIM

1

G

E



000437-001

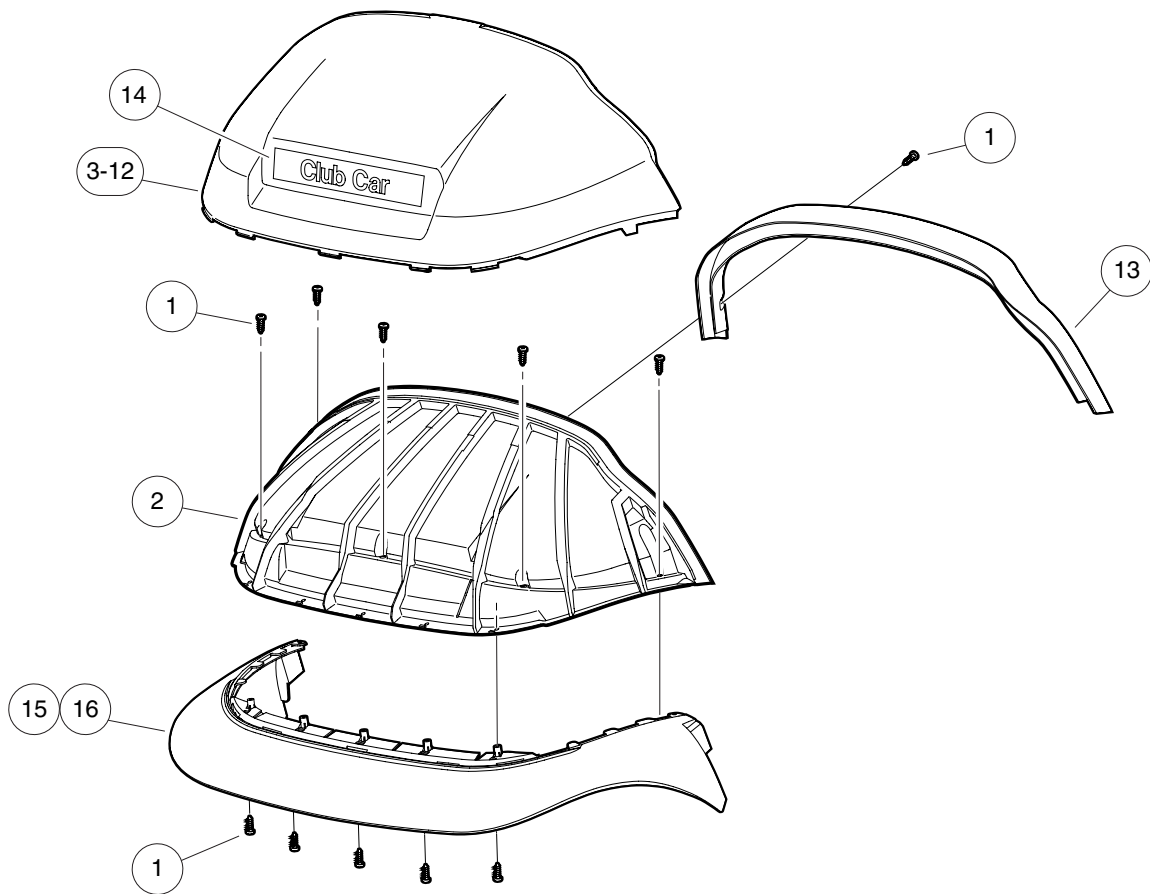
FRONT BUMPER

ITEM	PART NO.	DESCRIPTION	QTY
		1 2 3 4	
1	102298401	Nut,m8,all Metal Lock	2
2	102534201	Bolt - Fl Hd, M8 X 95	2
3	103330601	Asm, Bumper, Front, Precedent	1

1

G

E



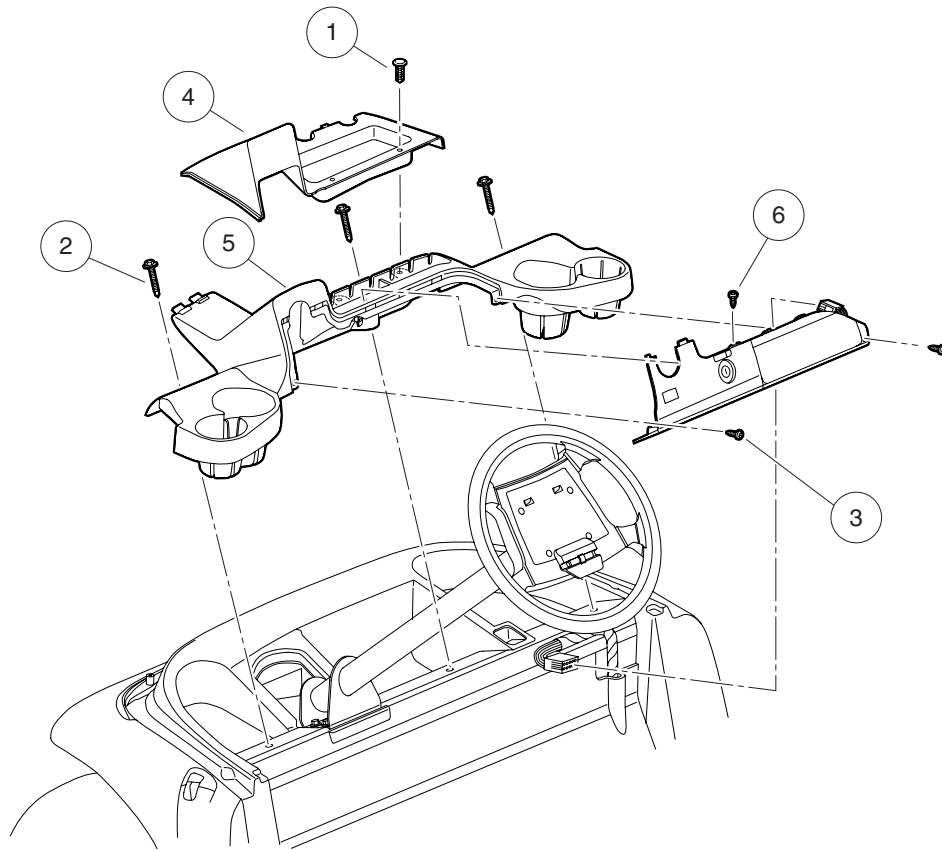
000434-001

FRONT BODY

ITEM	PART NO.	DESCRIPTION	QTY
		1 2 3 4	
1	102296020	Screw, Torx Pan Hd Pt, M6 X 20	14
2	102501501	Brow	1
3	102502401	Panel, Beauty Front, White	1
4	102502402	Panel, Beauty Front, Beige	1
5	102502404	Panel, Beauty Front, Gray	1
6	102502405	Panel, Beauty Front, Red	1
7	102502406	Panel, Beauty Front, Burgundy	1
8	102502407	Panel, Beauty Front, Green	1
9	102502408	Panel, Beauty Front, Blue	1
10	102502409	Panel, Beauty Front, Black	1
11	102502411	Panel, Beauty, Front, Cayenne	1
12	102502413	Panel-beauty Front, Atlantic	A/R
13	102502501	Brow Cap	1
14	102502601	Nameplate - Cs	1
15	102534403	Fascia, Grey	1
16	102534404	Fascia, Blk	1

1
G
E

1
G
E



000438-001

DASH – STYLE A

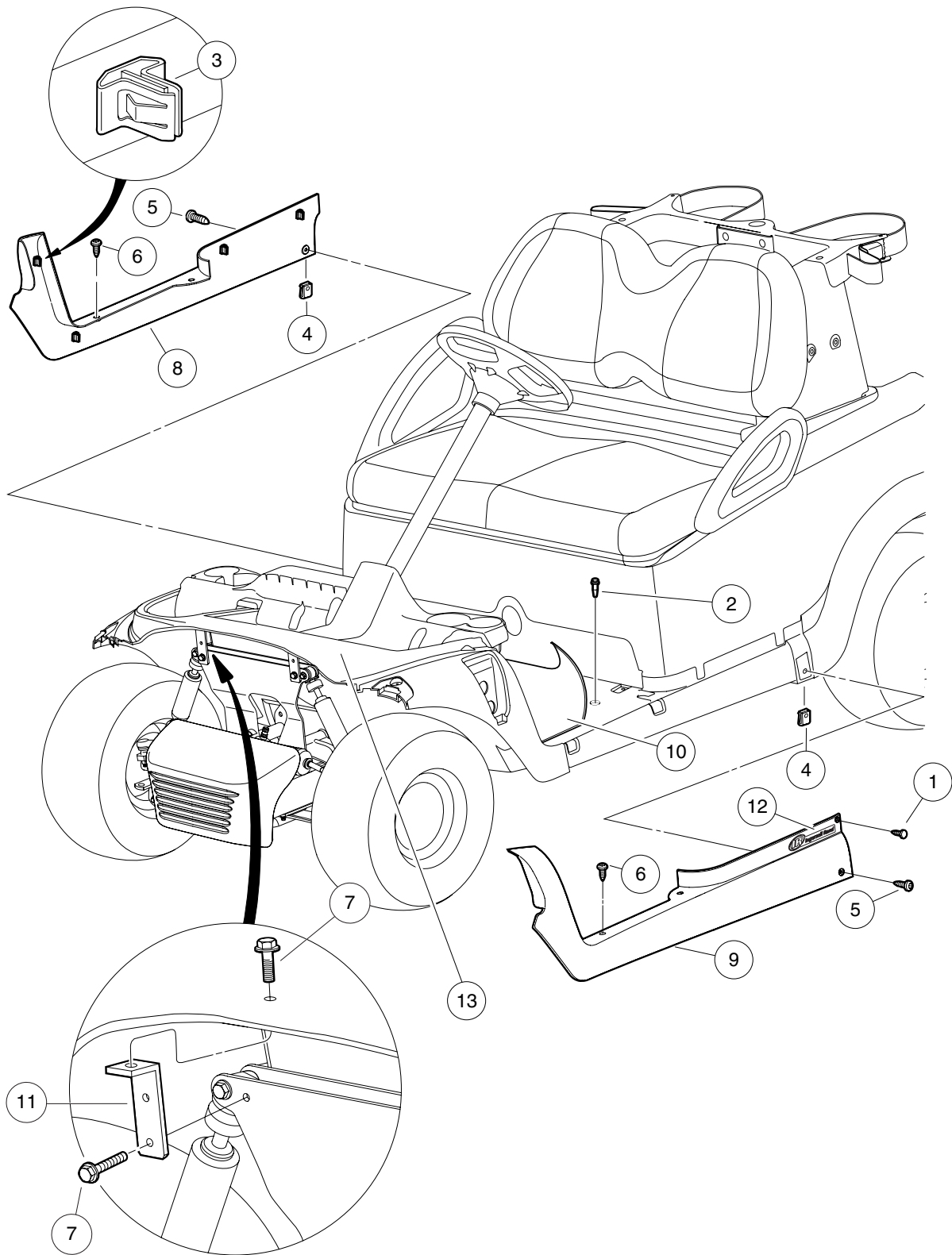
ITEM	PART NO.	DESCRIPTION	QTY
		1 2 3 4	
1	1010434	Barrel - Plastic	2
2	102292356	Screw-1/4-20x56 Hwh Self Drill	3
3	102296819	Screw-m6 X 19-pnhd Ab	2
4	102380401	Dash, Tray	1
5	102523101	Dash Assembly	1
6	102557201	Screw, #6-20 Type Abx1.00 Pan	1
<p>Note: Dash-style A should be used with front underbody-style A only. Underbody-style A is no longer available as a service part. If underbody needs to be replaced as well, order underbody-style B and dash-style B.</p>			

1

G

E

1
G
E

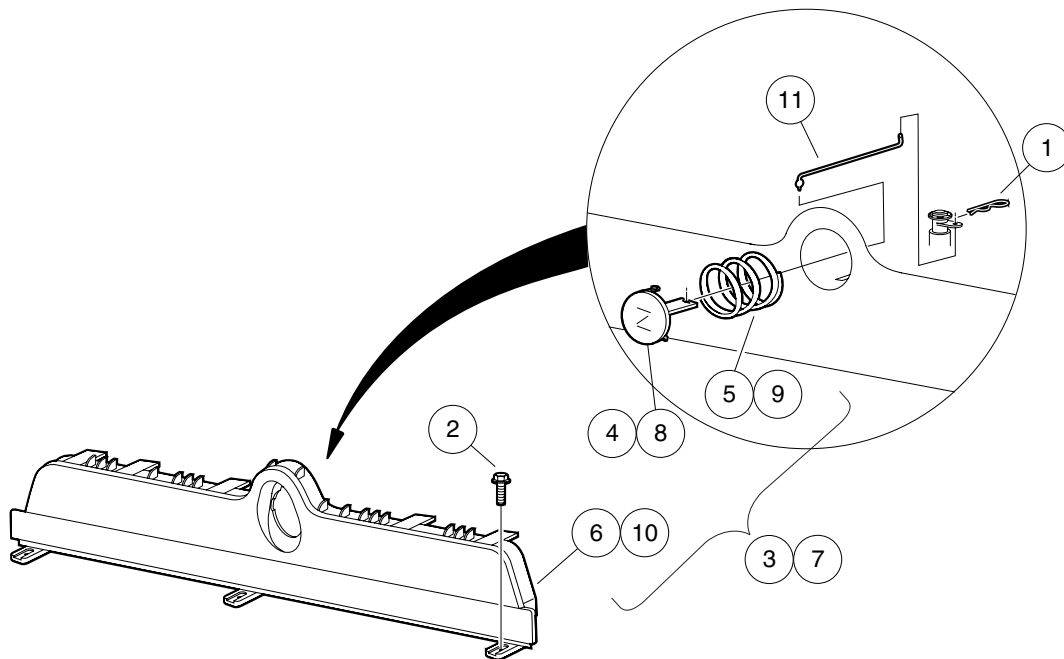


000497-001

FLOOR MAT, RETAINER, AND FRONT UNDERBODY – STYLE B

ITEM	PART NO.	DESCRIPTION	QTY
		1 2 3 4	
1	1010434	Barrel - Plastic	2
2	102292356	Screw-1/4-20x56 Hwh Self Drill	3
3	102292701	Clip-body-trim	8
4	102296601	U-nut, M6-1.0 Prev Torque	2
5	102296920	Screw, M6 Torx Bttn Hd Sems	2
6	102298020	Screw, K80x20, Torx Pn Hd Pt	4
7	102298716	M8-1.25x16 Taptite	4
8	102302504	Retainer Asm-floormat Rh, Blk	1
9	102302604	Retainer Asm-floormat Lh, Blk	1
10	102504802	Floormat, Precedent	1
11	102521901	Bracket-clamshell	2
12	102523901	Decal, IR/Club Car	2
13	****	Asm-front Underbody, Black	1
<p style="margin-left: 40px;">**** Special order item available upon request.</p> <p style="margin-left: 40px;">Note: Underbody-style B should be used with dash-style B only.</p>			

1
G
E



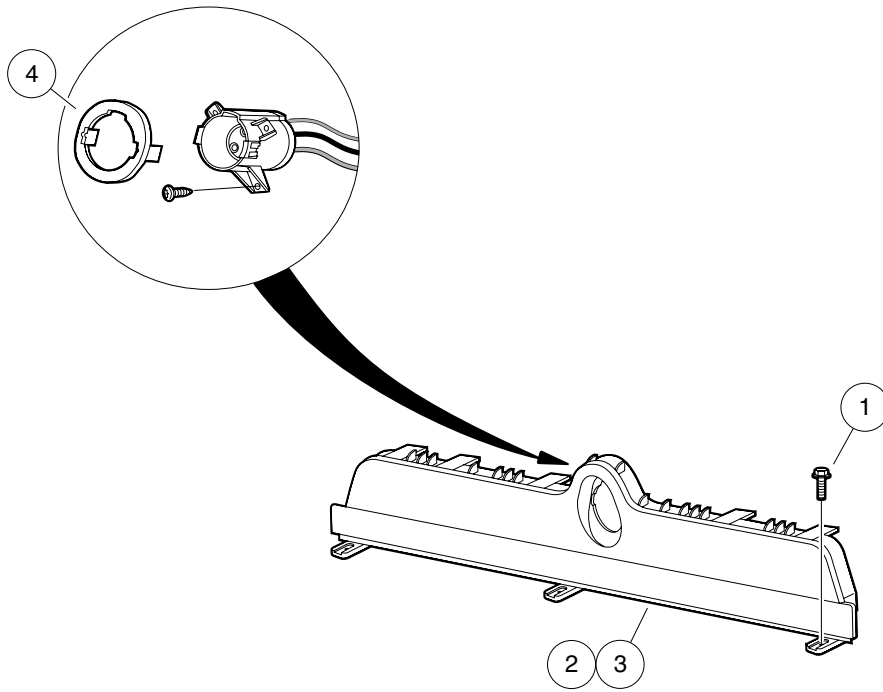
000501-001

KICK PLATE – GASOLINE VEHICLE

ITEM	PART NO.	DESCRIPTION	QTY
		1 2 3 4	
1	1014413	Pin, Hair Spring Cotter	1
2	102298030	Screw, K80x30, Torx Pn Hd Pt	3
3	102511701	Asm-gas Kick Plate, Grey (includes items 4 through 6)	1
4	101811401	Lever, Choke	1
5	101856201	Compression Spring	1
6	102511801	Plate -gas Kick, Grey	1
7	102511702	Asm-gas Kick Plate, Blk (includes items 8 through 10)	1
8	101811401	Lever, Choke	1
9	101856201	Compression Spring	1
10	102511802	Plate - Gas Kick, Blk	1
11	102514401	Rod, Choke Button	1

1
G
E

1
G
E



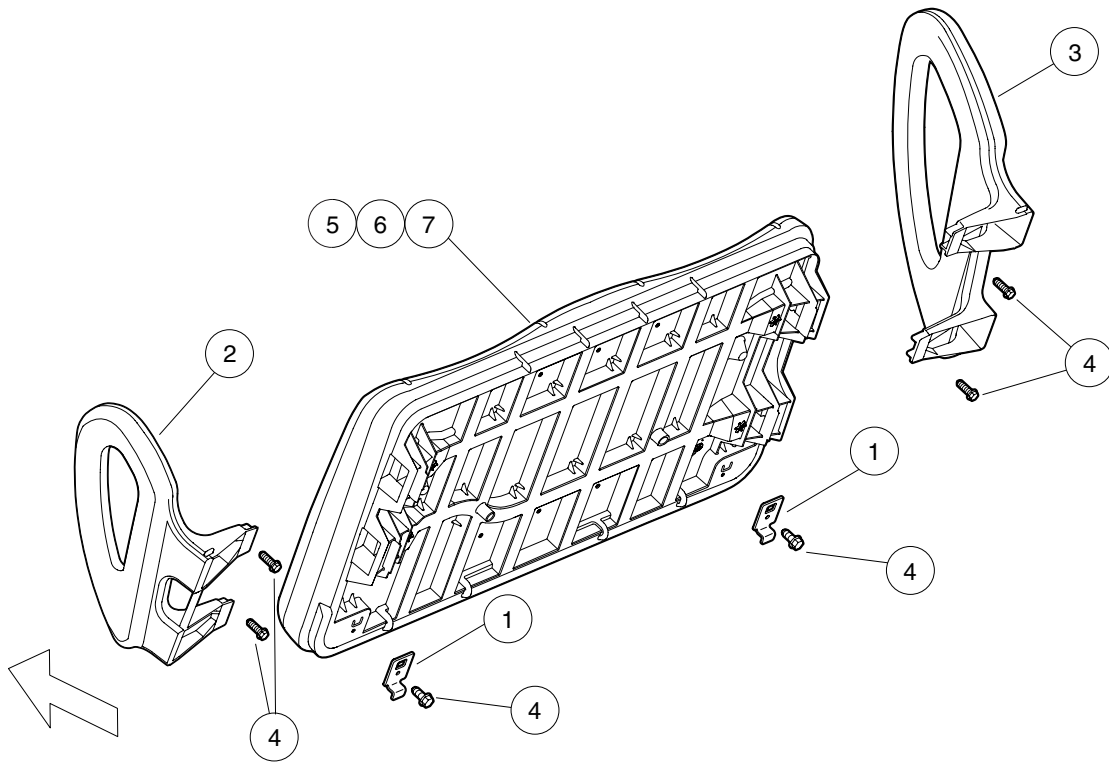
000500-001

KICK PLATE – ELECTRIC VEHICLE

ITEM	PART NO.	DESCRIPTION	QTY
		1 2 3 4	
1	102298030	Screw, K80x30, Torx Pn Hd Pt	3
2	102508201	Plate - Electric Kick, Grey	1
3	102508202	Plate - Electric Kick Blk	1
4	102516901	Socket Trim	1



1
G
E



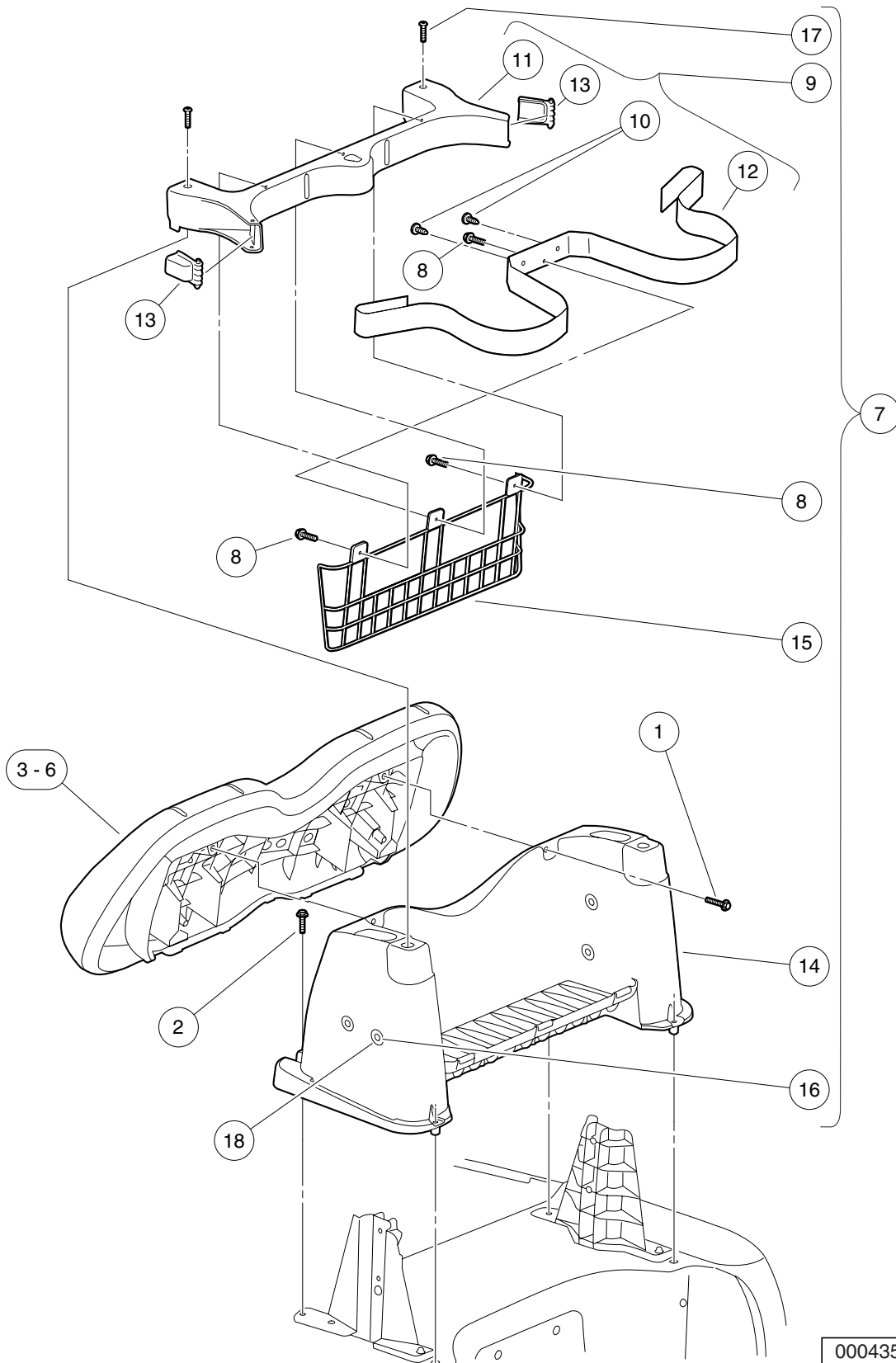
000440-002

SEAT WITH HIP RESTRAINTS

ITEM	PART NO.	DESCRIPTION	QTY
		1 2 3 4	
1	102554601	Hinge Plate, Prec	2
2	102562701	Hip Restraint, Prec, Lh	1
3	102562801	Hip Restraint, Prec, Rh	1
4	102562901	Screw, Seat Bottom Prec	6
5	103423001	Seat Bottom Asy, Prec-beige	1
6	103423002	Seat Bottom Asy, Prec-white	1
7	103423004	Seat Bottom Asy, Prec-gray	1

1
G
E

1
G
E



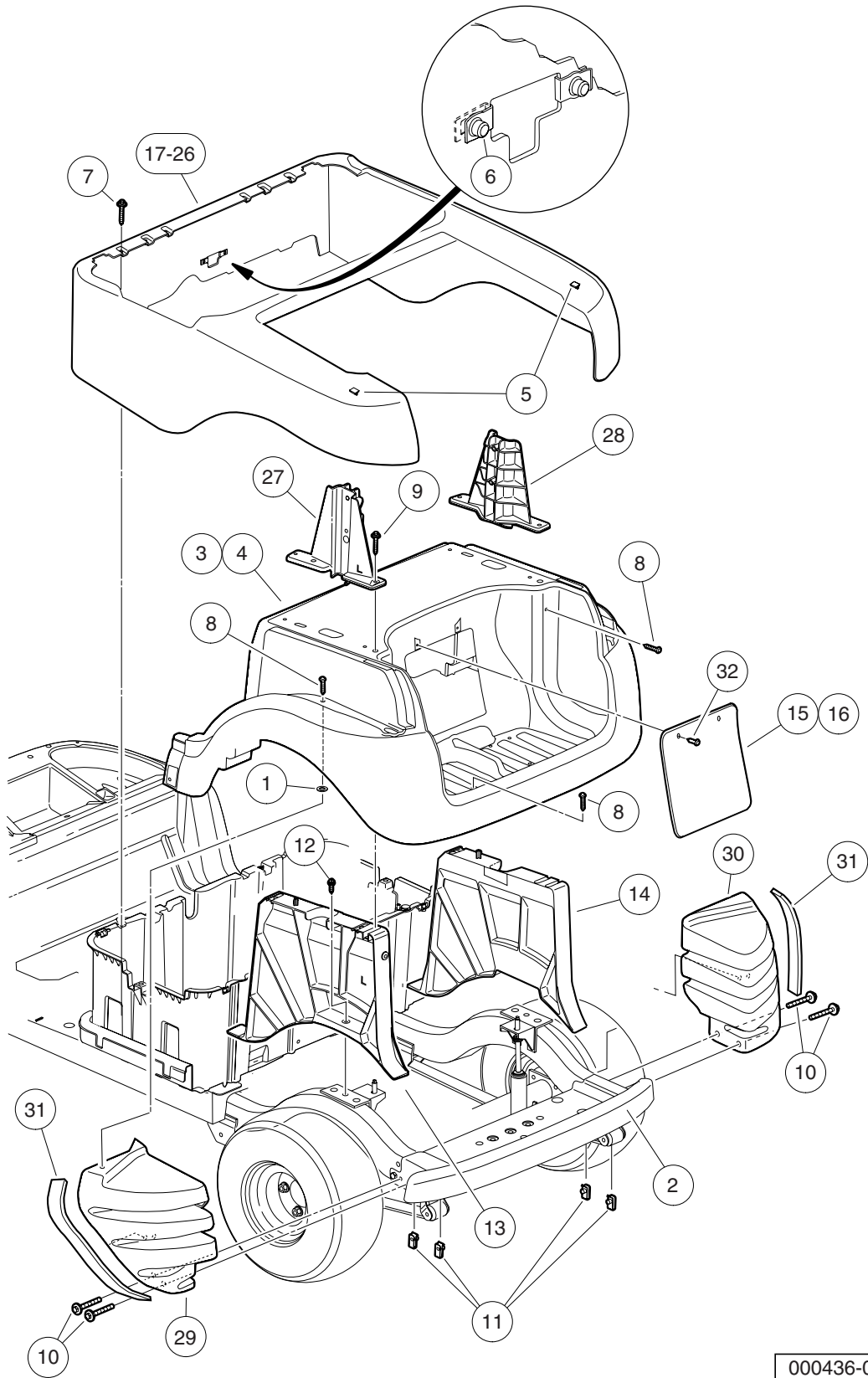
000435-001

BACKREST AND STRUCTURAL ACCESSORY MODULE (SAM)

ITEM	PART NO.	DESCRIPTION	QTY
		1 2 3 4	
1	102296530	Screw - M6 X 1.0 X 30 Sems	2
2	102298240	Bolt, Flange Head, M8-1.25 X 40	4
3	102503221	Service Backrest Asm, Beige	1
4	102503222	Service Backrest Asm, White	1
5	102503224	Service Backrest Asm, Gray	1
6	102503225	Service Backrest Asm-black	1
7	102503901	Asm-sam (includes items 8 through 17)	1
8	102297125	Screw M6-1.0x25.4 Thd Fm Sems	3
9	102504001	Asm-bag Hoop (includes items 10 through 13)	1
10	1010434	Barrel - Plastic	2
11	102504201	Hoop-bag	1
12	102504301	Strap, Bag	1
13	102517001	Buckle-bag Strap	2
14	N/A	Structural Accessory Module	1
15	102504501	Panel, SAM	1
16	102551701	Insert M6x1.0	4
17	103327601	Screw, 5/16, Torx, Bosscrew	2
18	102568701	Barrel - Plastic 6mm	8

1
G
E

1
G
E



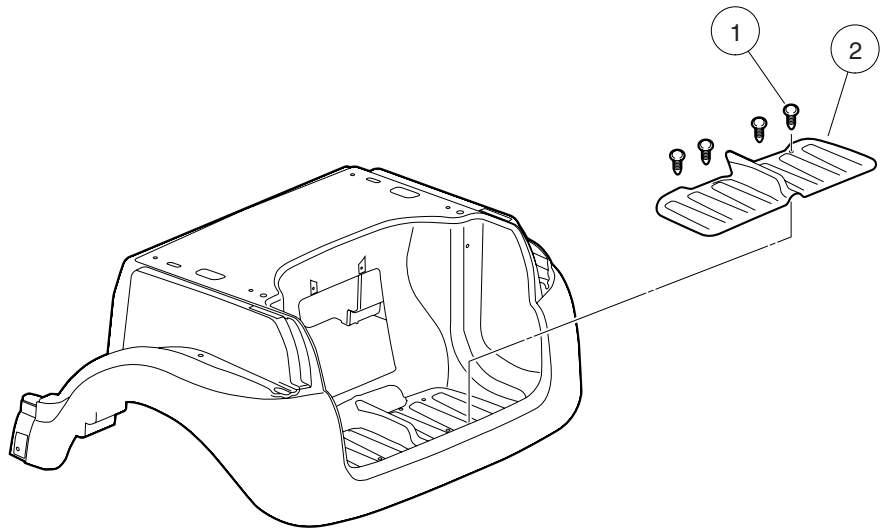
000436-001

REAR BODY

ITEM	PART NO.	DESCRIPTION	QTY
		1 2 3 4	
1	1012571	Washer, 5/16 Extra Thick Flat	2
2	102279001	Rear Bumper Beam	1
3	102279103	Underbody - Rear, Grey	1
4	102279104	Underbody - Rear, Blk	1
5	102292701	Clip-body-trim	2
6	102296601	U-nut, M6-1.0 Prev Torque	2
7	102297230	Screw,m6,torx,interlock,thread	4
8	102298030	Screw, K80x30, Torx Pn Hd Pt	6
9	102298240	Bolt, Flange Head, M8-1.25 X 40	2
10	102298580	M8-1.25 X 80 Sems	4
11	102298601	J-clip - M8 X 1.25	4
12	102298716	M8-1.25x16 Taptite	2
13	102500501	Asm, Rear U/b Support, Lh	1
14	102500601	Asm, Rear U/b Support, Rh	1
15	102501401	Panel, Access, Gray	1
16	102501402	Panel, Access, Black	1
17	102502301	Panel, Beauty, Rear, White	1
18	102502302	Panel, Beauty, Rear, Beige	1
19	102502304	Panel, Beauty, Rear, Gray	1
20	102502305	Panel, Beauty, Rear, Red	1
21	102502306	Panel, Beauty, Rear, Burgundy	1
22	102502307	Panel, Beauty, Rear, Green	1
23	102502308	Panel, Beauty, Rear, Blue	1
24	102502309	Panel, Beauty, Rear, Black	1
25	102502311	Panel-beauty Rear, Cayenne	1
26	102502313	Panel-beauty Rear, Atlantic	1
27	102502901	Bracket, Canopy Support Left-Hand	1
28	102503001	Bracket, Canopy Support Right-Hand	1
29	102545601	Liner, Rear Underbody Lh	1
30	102545602	Liner, Rear Underbody Right-Hand	1
31	102562101	Tape, Foam Black 12" *	A/R
32	102967901	Rivet, Removable, Tuflok 1/4"	2
		* Note: Sold by the foot, 12 inches required per side	

1
G
E

1
G
E

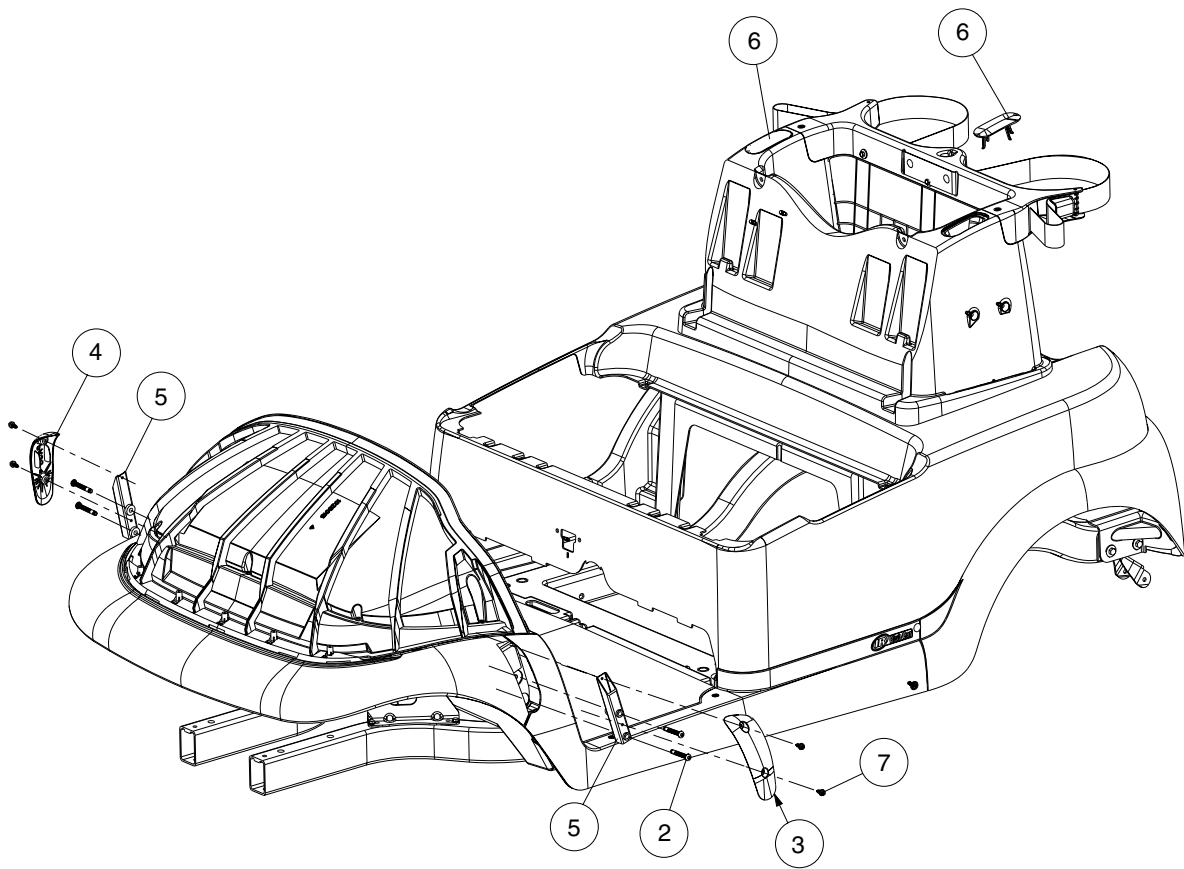


000729-001

BAGWELL LINER

ITEM	PART NO.	DESCRIPTION	QTY
1	1010434	1 2 3 4 Barrel - Plastic	4
2	102553901	Bagwell Liner	1

1
G
E



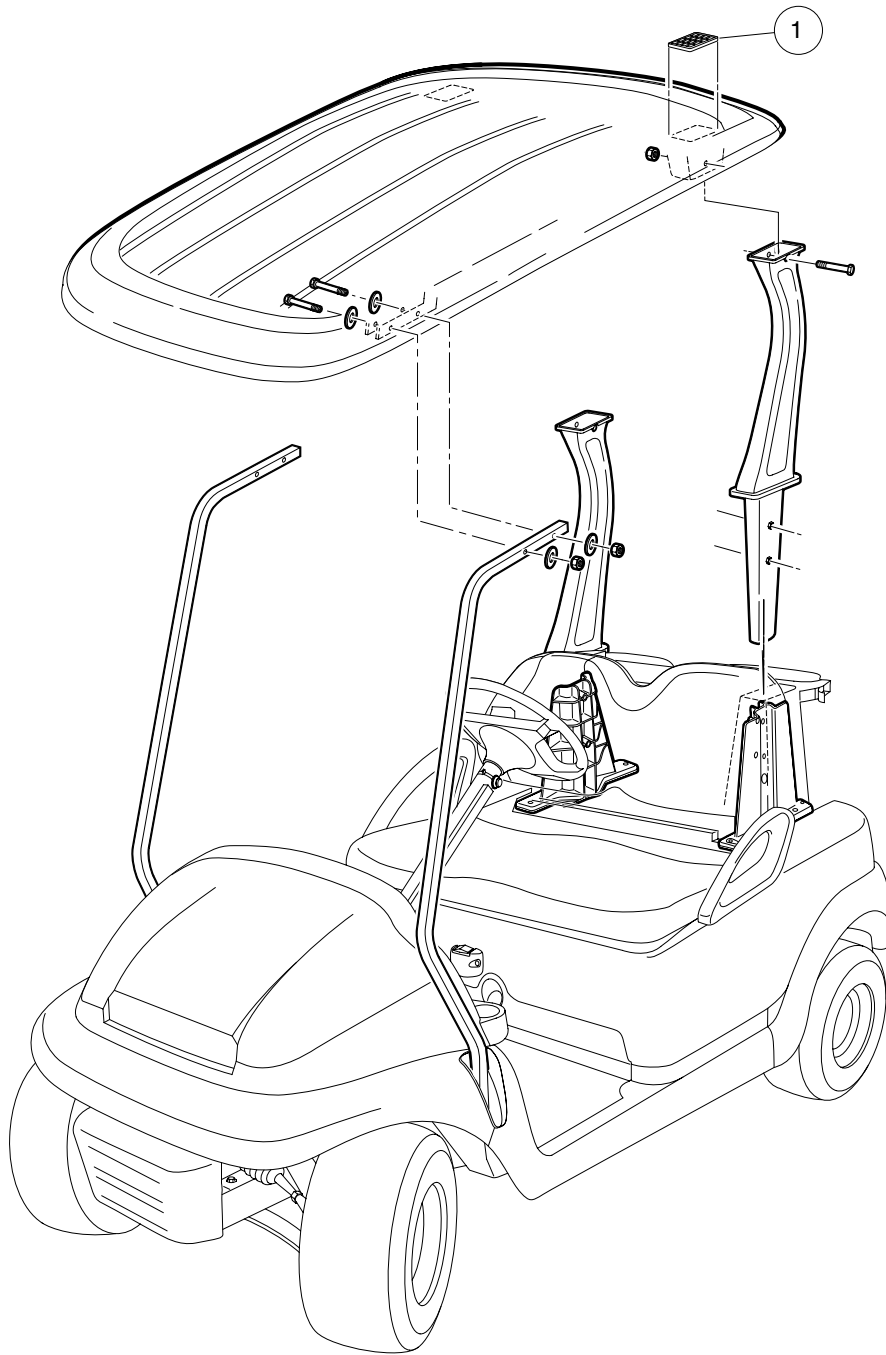
000730-001

UNDERBODY COVERS (VEHICLE WITHOUT CANOPY)

ITEM	PART NO.	DESCRIPTION	QTY
		1 2 3 4	
1	102543901	Kit, Underbody Cover, Gray (includes items 2 through 7)	1
2	102299065	M8-1.25 X 65 Tx Bttn Hd Bolt	4
3	N/A	Cover, Lh Non-canopy, Grey	1
4	N/A	Cover, Rh Non-canopy, Grey	1
5	N/A	Support, Strut Cover	2
6	N/A	SAM Cap	2
7	102544201	Screw, M6 Hex	4
8	102543902	Kit, Underbody Cover, Black (includes items 9 through 14)	1
9	102299065	M8-1.25 X 65 Tx Bttn Hd Bolt	4
10	102400202	Cover, Lh Non-canopy, Blk	1
11	102400302	Cover, Rh Non-canopy, Blk	1
12	N/A	Support, Strut Cover	2
13	N/A	SAM Cap	2
14	102544201	Screw, M6 Hex	4
<p>Note: Sub-components contained in item 8 are the same as those shown for item 1, except for the color of the caps and covers.</p>			

1
G
E

1
G
E



000439-002

CANOPY SNAP-IN DRAIN COVER

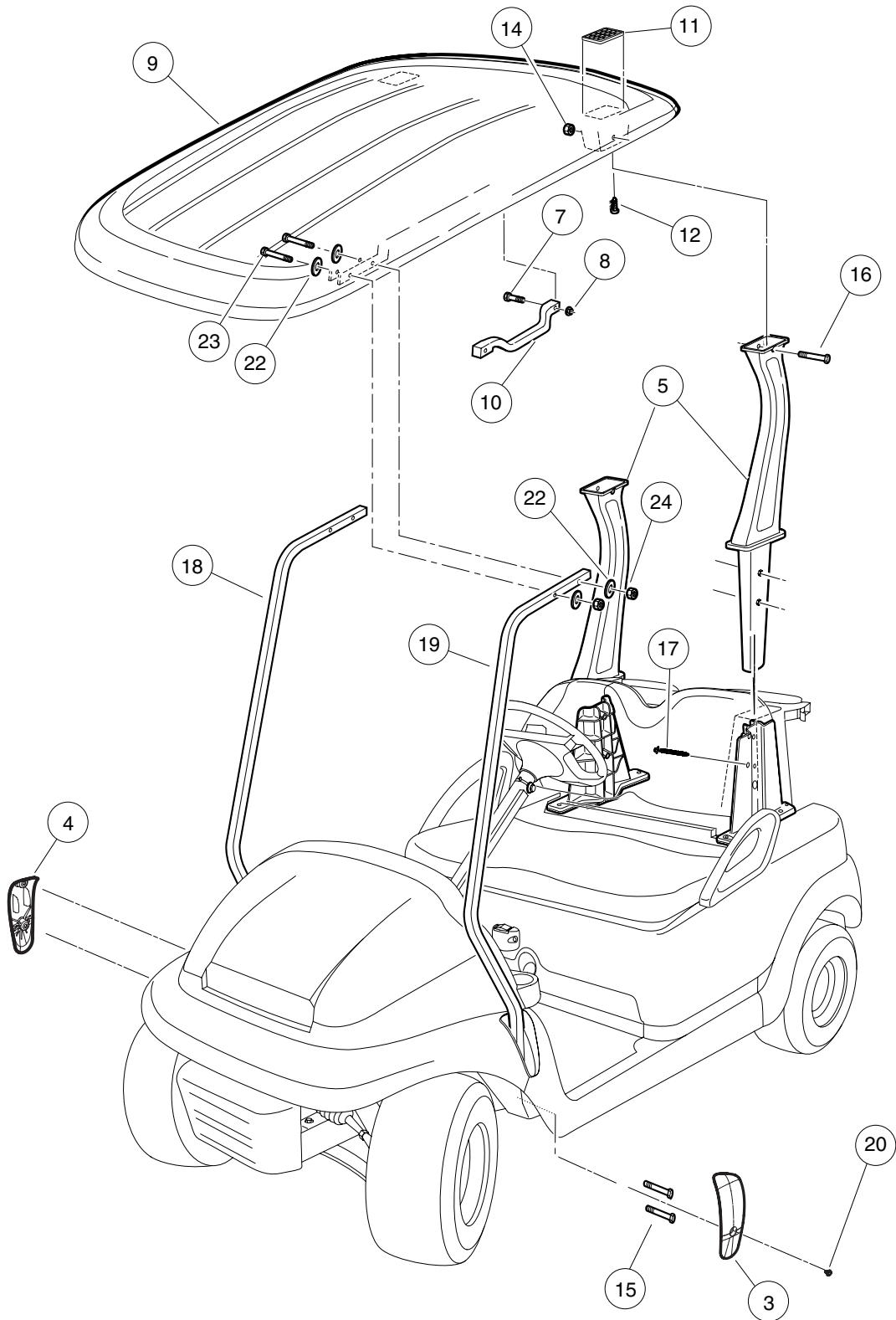
ITEM	PART NO.	DESCRIPTION	QTY
1	N/A	<div style="display: flex; justify-content: space-between; margin-bottom: 5px;"> 1234 </div> Drain Cover (Snap-In) Note: For use on canopies produced prior to mid-2007.	2

1

G

E

1
G
E



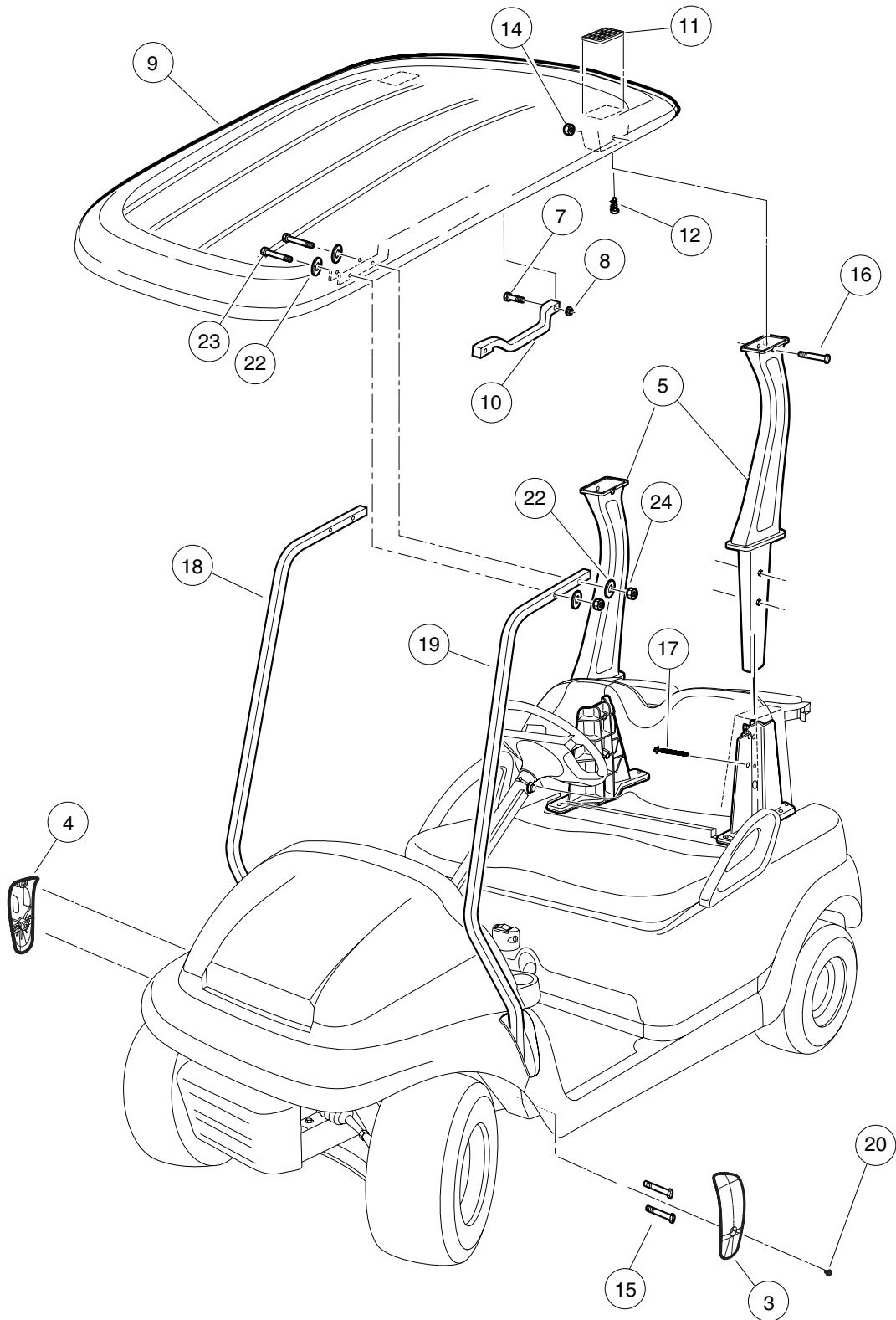
000439-001

CANOPY – BEIGE

ITEM	PART NO.	DESCRIPTION	QTY
		1 2 3 4	
1	102520702	Kit-canopy, Prec-beige (includes items 2 through 13)	1
2	N/A	Beige Canopy Component Kit (includes items 3 through 6)	1
3	102400002	Cover, Lh Canopy Support, Blk	1
4	102400102	Cover, Rh Canopy Support, Blk	1
5	102513501	Asm-rear Canopy Support	2
6	102524202	Asm-canopy, Beige (includes items 7 through 12)	1
7	102296140	Bolt, Flanged Head, M6x1.0x40	4
8	102296401	Nut-m6x1.0 Flng All Mtl Lock	4
9	102508902	Canopy-beige	1
10	102511602	Handle, Canopy (Beige)	2
11	103205101	Cover, Drain, Canopy, Precedent	2
12	103210101	Screw, #8 X.75, Torx, Tapping	2
13	N/A	Kit, Hardware, Canopy Strut (includes items 14 through 24)	1
14	102298401	Nut,m8,all Metal Lock	2
15	102299065	M8-1.25 X 65 Tx Bttn Hd Bolt	4
16	102299360	Screw, M8-1.25 X 60, Sems, Tx	2
17	102299601	Screw, Pt, K80x70 Hex Flg Hd	2
18	102512401	Support, Canopy Front, Right-Hand	1
19	102513301	Support, Canopy Front Left-Hand	1
20	102544201	Screw, M6 Hex	2
21	102572601	Instr, Kit, Canopy (prec)	1
22	103196001	Washer, Conical Spring, Canopy	8
23	103199301	Bolt - M6 X 1 X 45 Hh Grey	4
24	103200301	Nut, M6 x 1.00	4
Note: Item 21 not shown.			

1
G
E

1
G
E



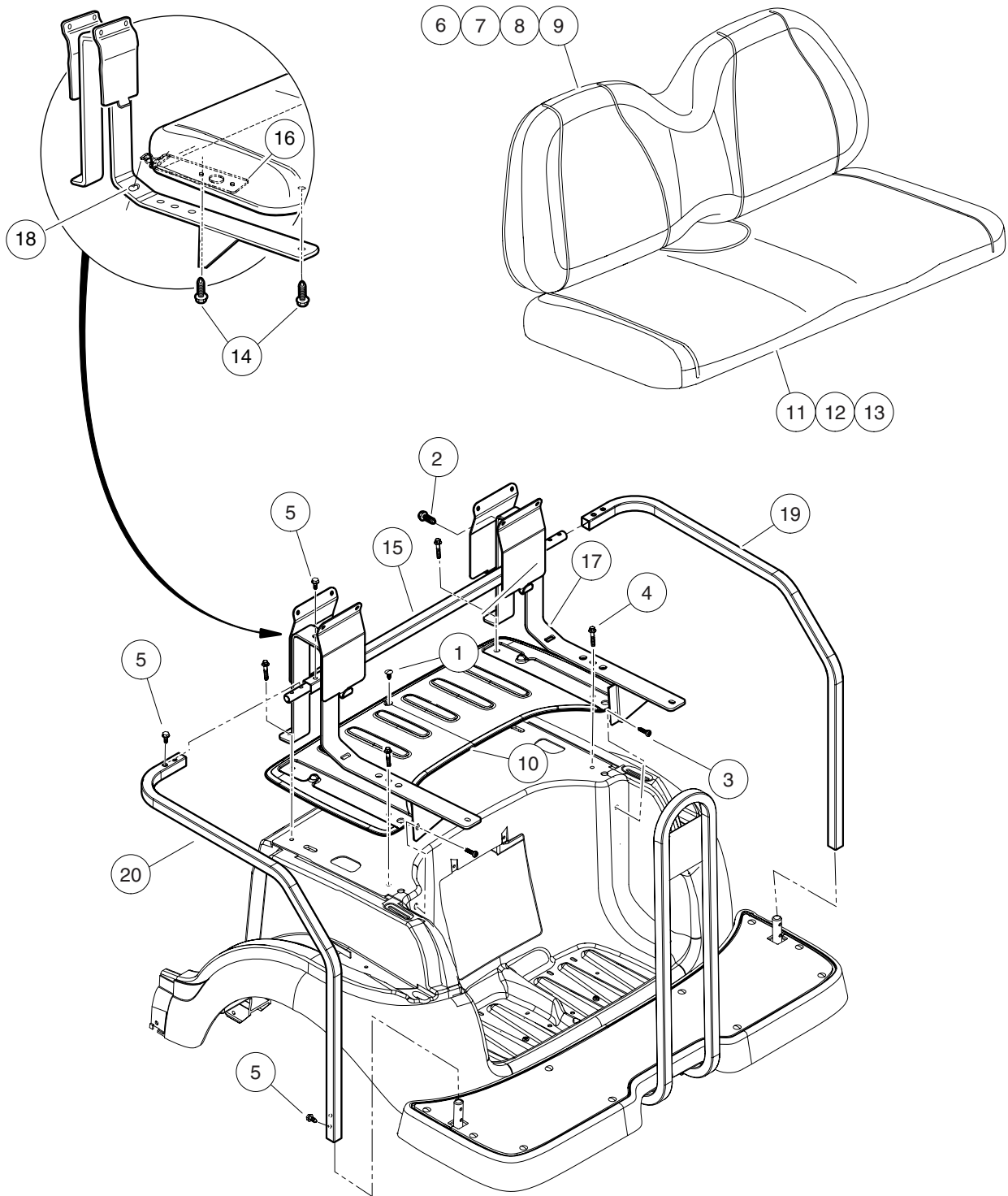
000439-001

CANOPY – WHITE

ITEM	PART NO.	DESCRIPTION	QTY
		1 2 3 4	
1	102520701	Kit-canopy, Prec-white (includes items 2 through 13)	1
2	N/A	White Canopy Component Kit (includes items 3 through 6)	1
3	102400002	Cover, Lh Canopy Support, Blk	1
4	102400102	Cover, Rh Canopy Support, Blk	1
5	102513501	Asm-rear Canopy Support	2
6	102524201	Asm-canopy, White (includes items 7 through 12)	1
7	102296140	Bolt, Flanged Head, M6x1.0x40	4
8	102296401	Nut-m6x1.0 Flng All Mtl Lock	4
9	102508901	Canopy-white	1
10	102511601	Handle, Canopy (White)	2
11	103205101	Cover, Drain, Canopy, Precedent	2
12	103210101	Screw, #8 X.75, Torx, Tapping	2
13	N/A	Kit, Hardware, Canopy Strut (includes items 14 through 24)	1
14	102298401	Nut,m8,all Metal Lock	2
15	102299065	M8-1.25 X 65 Tx Bttn Hd Bolt	4
16	102299360	Screw, M8-1.25 X 60, Sems, Tx	2
17	102299601	Screw, Pt, K80x70 Hex Flg Hd	2
18	102512401	Support, Canopy Front, Right-Hand	1
19	102513301	Support, Canopy Front Left-Hand	1
20	102544201	Screw, M6 Hex	2
21	102572601	Instr, Kit, Canopy (prec)	1
22	103196001	Washer, Conical Spring, Canopy	8
23	103199301	Bolt - M6 X 1 X 45 Hh Grey	4
24	103200301	Nut, M6 x 1.00	4
Note: Item 21 not shown.			

1
G
E

1
G
E

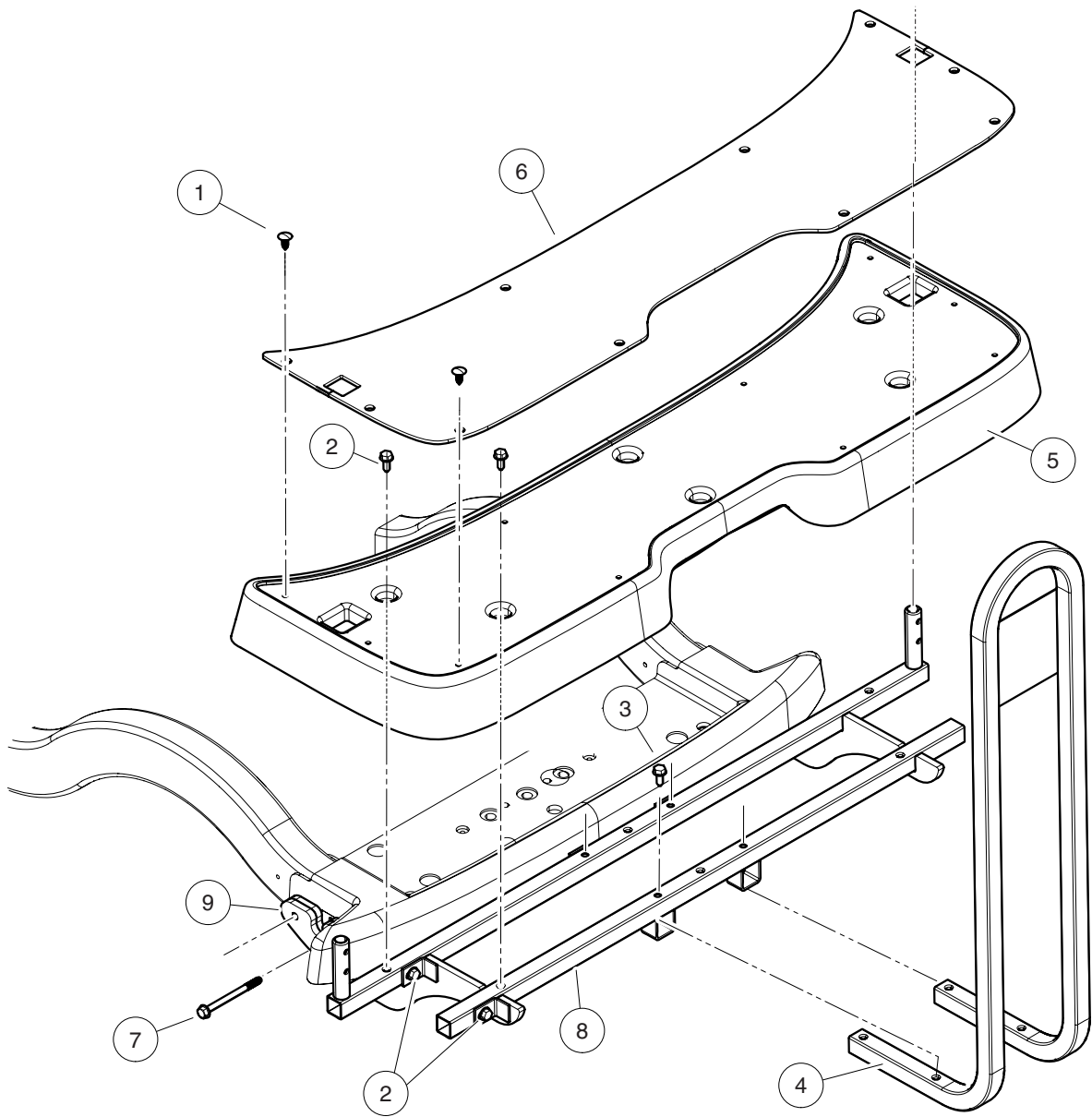


000494-001

REAR SEAT – PRECEDENT VILLAGER 4

ITEM	PART NO.	DESCRIPTION	QTY
		1 2 3 4	
1	1010434	Barrel - Plastic	10
2	102296530	Screw - M6 X 1.0 X 30 Sems	4
3	102298030	Screw, K80x30, Torx Pn Hd Pt	2
4	102298240	Bolt, Flange Head, M8-1.25 X 40	A/R
5	102298720	M8-1.25x20 Taptite	10
6	102503221	Service Backrest Asm, Beige	1
7	102503222	Service Backrest Asm, White	1
8	102503224	Service Backrest Asm, Gray	1
9	102503225	Service Backrest Asm-black	1
10	102531501	Cover, 4-pass Ns1 Underbody	1
11	102531701	4-Passenger Rear Seat Bottom, Beige	1
12	102531702	4-Passenger Rear Seat Bottom, White	1
13	102531704	4-Passenger Rear Seat Bottom, Gray	1
14	102541425	Bolt-m6x1.0x25 Hex Flhd, Blk-l	4
15	102572201	Connector Tube-hand Rail Asm	1
16	102573101	Bracket, 4-pass Lower Seat	2
17	102574801	Support-rh 4 Passenger Seat	1
18	102574901	Support-lh 4 Passenger Seat	1
19	102575101	Restraint- Rh 4-passenger Hip	1
20	102575201	Restraint- Lh 4-passenger Hip	1
		Note: See also four-passenger kit information.	

1
G
E



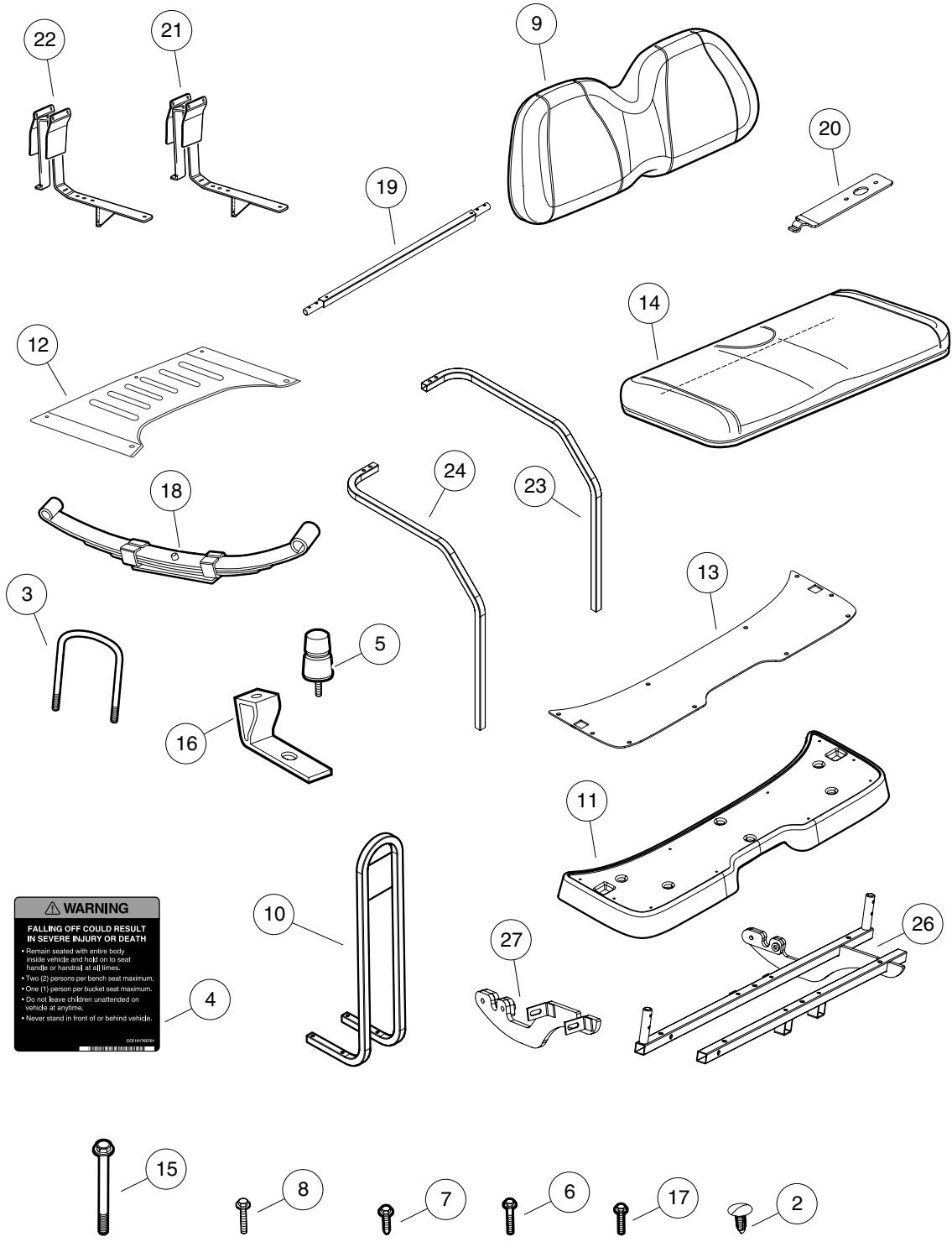
000493-001

REAR FOOTREST ASSEMBLY – PRECEDENT VILLAGER 4

ITEM	PART NO.	DESCRIPTION	QTY
		1 2 3 4	
1	1010434	Barrel - Plastic	10
2	102298720	M8-1.25x20 Taptite	8
3	102298745	M8-1.25x45 Taptite	4
4	102531001	Handrail Weldment, Rear Seat	1
5	102531402	Footdeck, 4-Passenger, Black	1
6	102531601	Floor mat, 4-Passenger, Rear	1
7	102534201	Bolt - Fl Hd, M8 X 95	4
8	102584701	Weld, 4-pass Footdeck-a	1
9	102584801	Weld, 4-pass Footdeck-b	1

1
G
E

1
G
E



⚠ WARNING
FALLING OFF COULD RESULT IN SEVERE INJURY OR DEATH
 • Remain seated with entire body inside vehicle and hold on to seat handle or handrail at all times.
 • Two (2) persons per bench seat maximum.
 • One (1) person per bucket seat maximum.
 • Do not leave children unattended on vehicle at anytime.
 • Never stand in front of or behind vehicle.

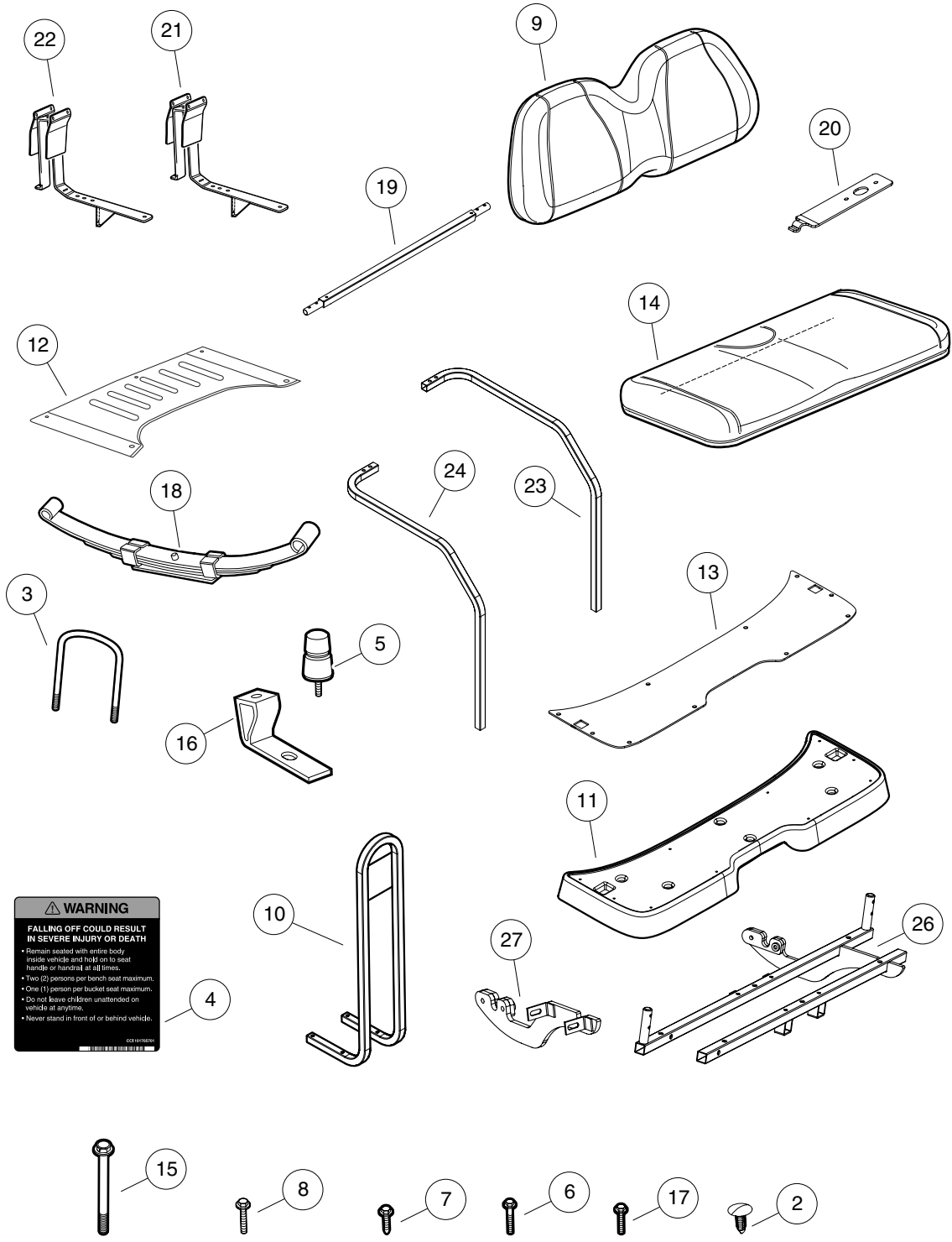
000505-001

FOUR PASSENGER CONVERSION KIT – BEIGE

ITEM	PART NO.	DESCRIPTION	QTY
		1 2 3 4	
1	102570901	Kit-4-pass, Prec, Std, Beige (includes items 2 through 27)	1
2	1010434	Barrel - Plastic	11
3	1014902	U-Bolt	2
4	101705701	Decal, Warning	1
5	1017235	Bumper, Jounce	2
6	102296530	Screw - M6 X 1.0 X 30 Sems	4
7	102298720	M8-1.25x20 Taptite	18
8	102298745	M8-1.25x45 Taptite	4
9	102503221	Service Backrest Asm, Beige	1
10	102531001	Handrail Weldment, Rear Seat	1
11	102531402	Footdeck, 4-Passenger, Black	1
12	102531501	Cover, 4-pass Ns1 Underbody	1
13	102531601	Floormat, 4-Passenger, Rear	1
14	102531701	4-Passenger Rear Seat Bottom, Beige	1
15	102534201	Bolt - Fl Hd, M8 X 95	4
16	102534801	Jounce Bumper Bracket	2
17	102541425	Bolt-m6x1.0x25 Hex Flhd, Blk-l	6
18	102544901	Spril, Leaf, Rear	2
19	102572201	Connector Tube-hand Rail Asm	1
20	102573101	Bracket, 4-pass Lower Seat	2
21	102574801	Support-rh 4 Passenger Seat	1
22	102574901	Support-lh 4 Passenger Seat	1
23	102575101	Restraint- Rh 4-passenger Hip	1
24	102575201	Restraint- Lh 4-passenger Hip	1
25	102577401	Instructions-4 Pass Field	1
26	102584701	Weld, 4-pass Footdeck-a	1
27	102584801	Weld, 4-pass Footdeck-b	1

1
G
E

1
G
E



⚠ WARNING
FALLING OFF COULD RESULT IN SEVERE INJURY OR DEATH
 • Remain seated with entire body inside vehicle and hold on to seat handle or handrail at all times.
 • Two (2) persons per bench seat maximum.
 • One (1) person per bucket seat maximum.
 • Do not leave children unattended on vehicle at anytime.
 • Never stand in front of or behind vehicle.

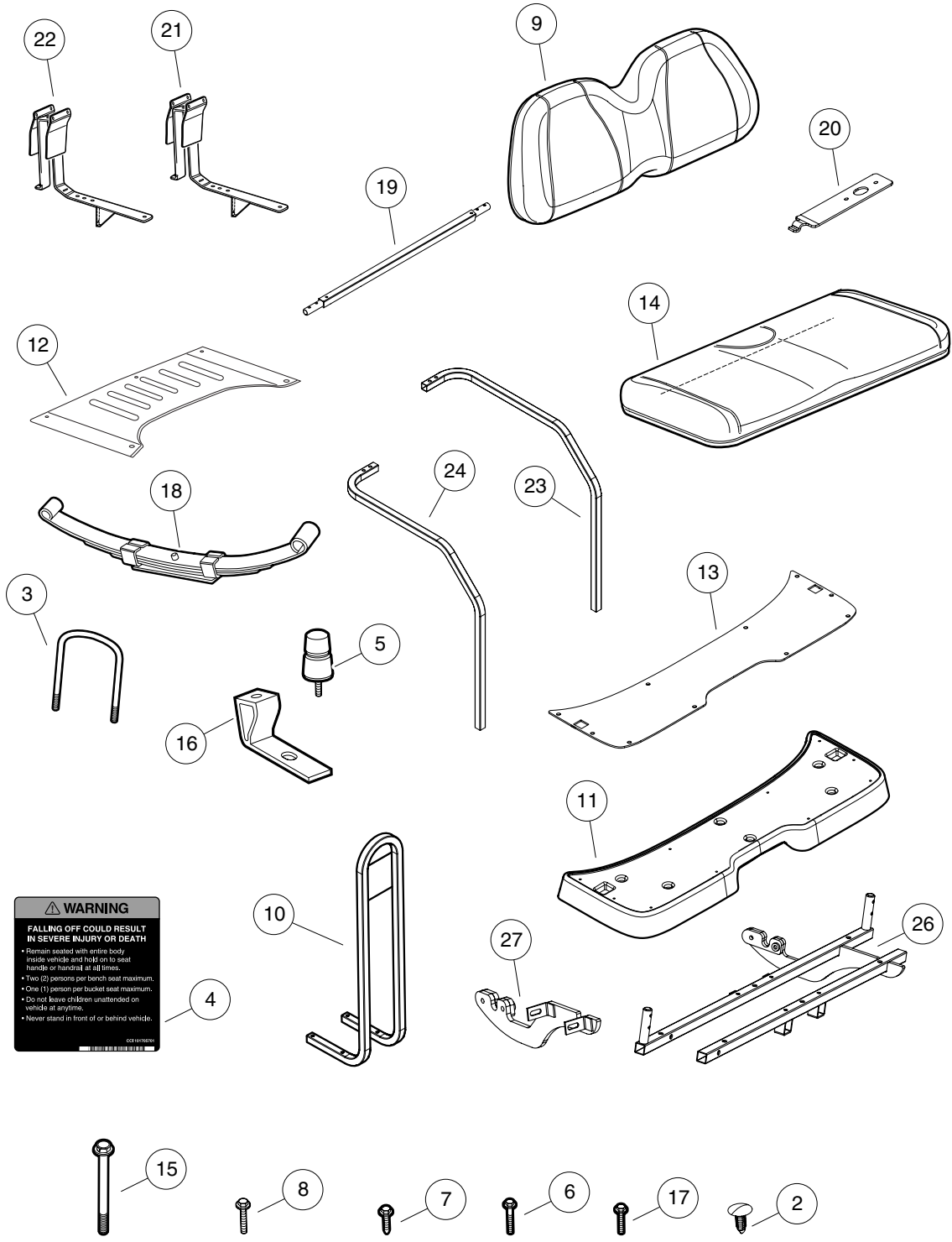
000505-001

FOUR PASSENGER CONVERSION KIT – WHITE

ITEM	PART NO.	DESCRIPTION	QTY
		1 2 3 4	
1	102570902	Kit-4-pass, Prec, Std, White (includes items 2 through 27)	1
2	1010434	Barrel - Plastic	11
3	1014902	U-Bolt	2
4	101705701	Decal, Warning	1
5	1017235	Bumper, Jounce	2
6	102296530	Screw - M6 X 1.0 X 30 Sems	4
7	102298720	M8-1.25x20 Taptite	18
8	102298745	M8-1.25x45 Taptite	4
9	102503222	Service Backrest Asm, White	1
10	102531001	Handrail Weldment, Rear Seat	1
11	102531402	Footdeck, 4-Passenger, Black	1
12	102531501	Cover, 4-pass Ns1 Underbody	1
13	102531601	Floormat, 4-Passenger, Rear	1
14	102531702	4-Passenger Rear Seat Bottom, White	1
15	102534201	Bolt - Fl Hd, M8 X 95	4
16	102534801	Jounce Bumper Bracket	2
17	102541425	Bolt-m6x1.0x25 Hex Flhd, Blk-l	6
18	102544901	Spril, Leaf, Rear	2
19	102572201	Connector Tube-hand Rail Asm	1
20	102573101	Bracket, 4-pass Lower Seat	2
21	102574801	Support-rh 4 Passenger Seat	1
22	102574901	Support-lh 4 Passenger Seat	1
23	102575101	Restraint- Rh 4-passenger Hip	1
24	102575201	Restraint- Lh 4-passenger Hip	1
25	102577401	Instructions-4 Pass Field	1
26	102584701	Weld, 4-pass Footdeck-a	1
27	102584801	Weld, 4-pass Footdeck-b	1

1
G
E

1
G
E



⚠ WARNING
FALLING OFF COULD RESULT IN SEVERE INJURY OR DEATH
 • Remain seated with entire body inside vehicle and hold on to seat handle or handrail at all times.
 • Two (2) persons per bench seat maximum.
 • One (1) person per bucket seat maximum.
 • Do not leave children unattended on vehicle at anytime.
 • Never stand in front of or behind vehicle.

000505-001

FOUR PASSENGER CONVERSION KIT – GRAY

ITEM	PART NO.	DESCRIPTION	QTY
		1 2 3 4	
1	102570904	Kit, 4 Passenger, Precedent, Std, Gray (includes items 2 through 27)	1
2	1010434	Barrel - Plastic	11
3	1014902	U-Bolt	2
4	101705701	Decal, Warning	1
5	1017235	Bumper, Jounce	2
6	102296530	Screw - M6 X 1.0 X 30 Sems	4
7	102298720	M8-1.25x20 Taptite	18
8	102298745	M8-1.25x45 Taptite	4
9	102503224	Service Backrest Asm, Gray	1
10	102531001	Handrail Weldment, Rear Seat	1
11	102531402	Footdeck, 4-Passenger, Black	1
12	102531501	Cover, 4-pass Ns1 Underbody	1
13	102531601	Floormat, 4-Passenger, Rear	1
14	102531704	4-Passenger Rear Seat Bottom, Gray	1
15	102534201	Bolt - Fl Hd, M8 X 95	4
16	102534801	Jounce Bumper Bracket	2
17	102541425	Bolt-m6x1.0x25 Hex Flhd, Blk-l	6
18	102544901	Spril, Leaf, Rear	2
19	102572201	Connector Tube-hand Rail Asm	1
20	102573101	Bracket, 4-pass Lower Seat	2
21	102574801	Support-rh 4 Passenger Seat	1
22	102574901	Support-lh 4 Passenger Seat	1
23	102575101	Restraint- Rh 4-passenger Hip	1
24	102575201	Restraint- Lh 4-passenger Hip	1
25	102577401	Instructions-4 Pass Field	1
26	102584701	Weld, 4-pass Footdeck-a	1
27	102584801	Weld, 4-pass Footdeck-b	1

1
G
E

1

G

E

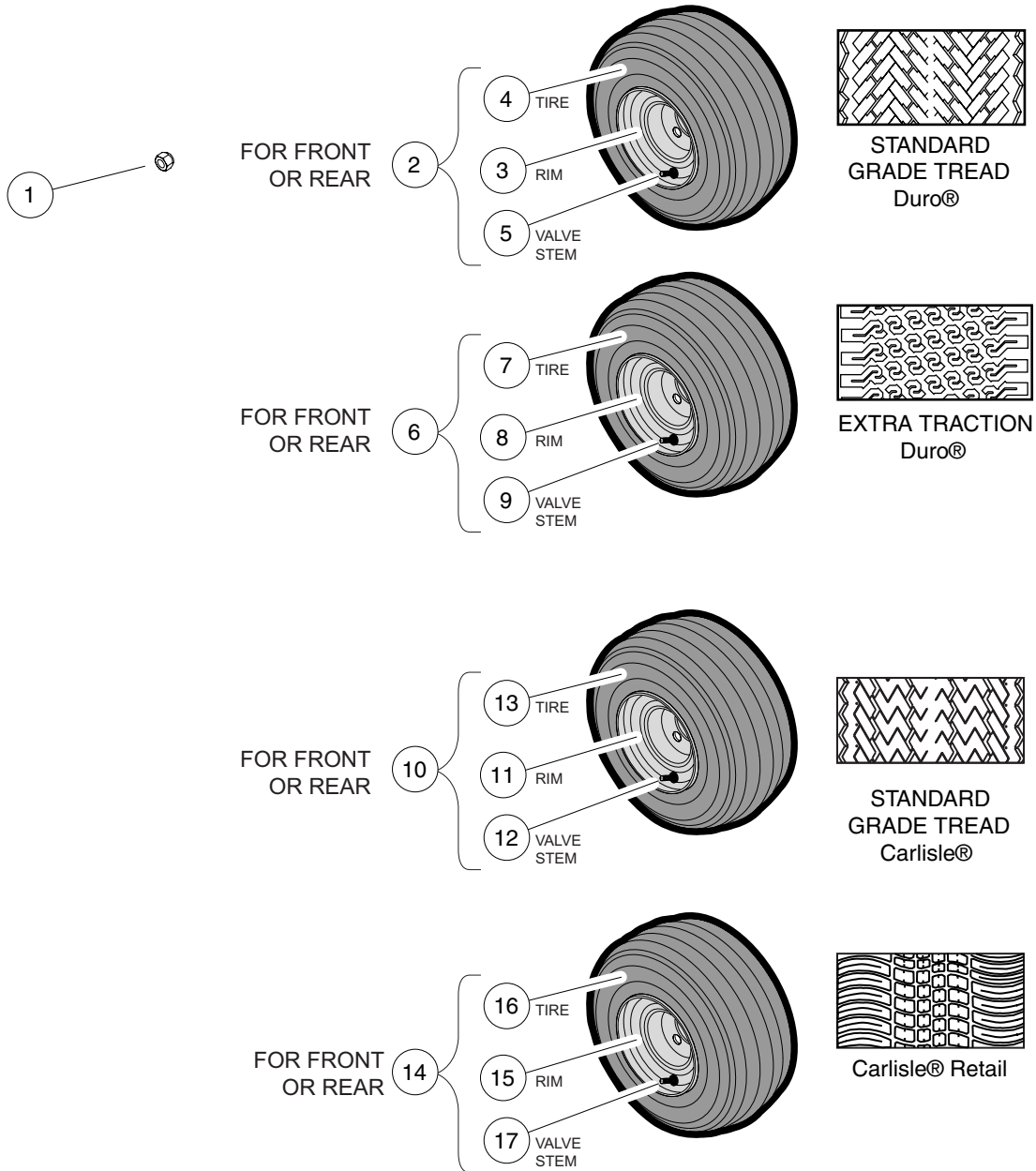
WHEEL AND TIRES

2

G

E

2
G
E

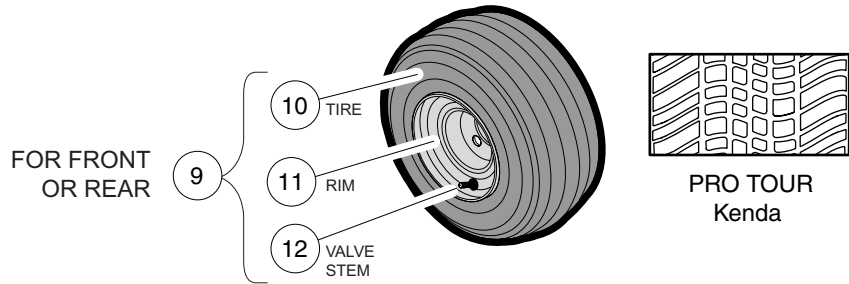
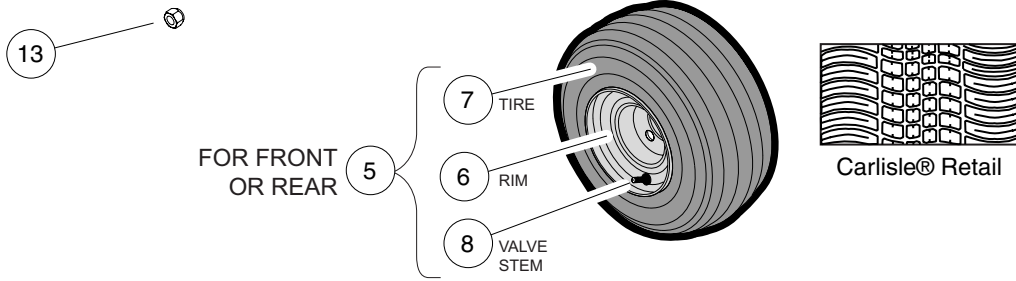
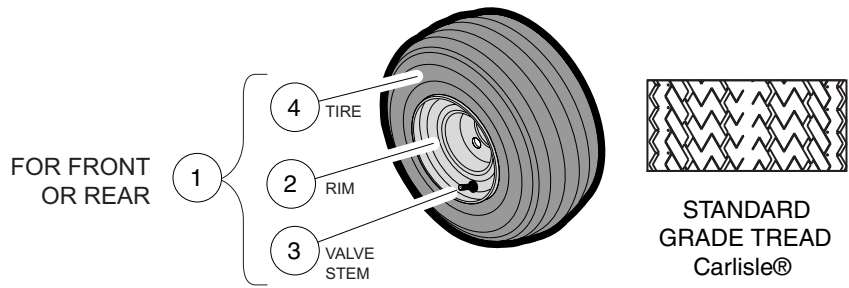


000474-001

WHEELS AND TIRES – PROFESSIONAL

ITEM	PART NO.	DESCRIPTION	QTY
		1 2 3 4	
1	1010984	.500-20 Unf Lug Nut	16
2	102522604	Asm - Duro Std Gray (includes items 3 through 5)	4
3	102557801	Wheel Rim Asm, 8" X 7.000"	1
4	102569304	Duro 18 X 8.5 X 8, 4-Ply	1
5	7310	Valve Stem	1
6	102522605	Asm - Duro Extra Tract Gray (includes items 7 through 9)	4
7	101769302	Tire, Unmounted Xtrac 18 x 8.50-8	1
8	102557801	Wheel Rim Asm, 8" X 7.000"	1
9	7310	Valve Stem	1
10	102522608	Asm-carlisle Std Gray (includes items 11 through 13)	A/R
11	102557801	Wheel Rim Asm, 8" X 7.000"	1
12	7310	Valve Stem	1
13	N/A	Tire, Unmouonted, Carlisle Standard Tread	1
14	102522609	Asm-carlisle Retail (includes items 15 through 17)	2
15	102557801	Wheel Rim Asm, 8" X 7.000"	1
16	102569309	Carlisle 18 X 8.50 R8	1
17	7310	Valve Stem	1

2
G
E



000475-001

WHEELS AND TIRES – CHAMPION

ITEM	PART NO.	DESCRIPTION	QTY
		1 2 3 4	
1	102522608	Asm-carlisle Std Gray (includes items 2 through 4)	4
2	102557801	Wheel Rim Asm, 8" X 7.000"	1
3	7310	Valve Stem	1
4	N/A	Tire, Unmounted, Carlisle Standard Tread	1
5	102522609	Asm-carlisle Retail (includes items 6 through 8)	4
6	102557801	Wheel Rim Asm, 8" X 7.000"	1
7	102569309	Carlisle 18 X 8.50 R8	1
8	7310	Valve Stem	1
9	102540601	Tire and Wheel, Aluminum (includes items 10 through 12)	4
10	102556701	Tire, Pro Tour, 205-50 X 10	1
11	102556801	Wheel, ChampionsAluminum'	1
12	7310	Valve Stem	1
13	102540701	Lug Nut, 1/2" Closed End	16

2
G
E

2

G

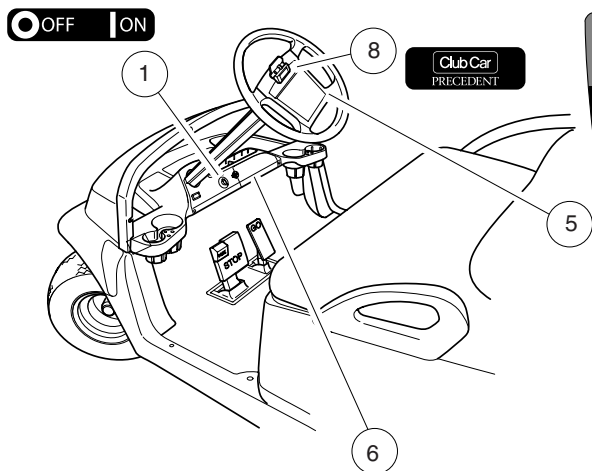
E

DECALS

3

G

E



OPERATING INSTRUCTIONS

- Read owner's manual and safety warnings located on dash panel prior to driving.
- Study and understand controls.

TO OPERATE

- Turn wheels to desired direction and ensure path is clear.
- Turn key to ON position.
- While stopped, place shift lever in desired position:
F – Forward N – Neutral R – Reverse (Buzzer will sound)
- Park brake will release and vehicle will start moving when accelerator pedal is pressed.
- Slowly press accelerator pedal to increase speed.
- To stop, release accelerator pedal and press brake pedal.

BEFORE LEAVING

- Press park brake pedal until it locks and holds vehicle.
- Place Forward/Reverse switch in NEUTRAL position.
- Turn key OFF and remove key when not in use.

CCI 102519201

WARNING

ROLLOVER OR FALLING OFF MAY CAUSE SERIOUS INJECTION OR DEATH.

- Before using vehicle, read operating instructions.
- Do not start vehicle until all occupants are seated.
- Keep entire body inside vehicle while moving.
- Drive slowly in turns and straight up and down slopes.
- Use brakes to reduce speed when coasting downhill.
- Never operate under the influence of alcohol or drugs.
- For use by authorized persons in designated areas only.
- Remain seated while moving.
- Operate from driver side only.
- Never operate on public roads.
- Hold on to seat handle while moving.
- Two (2) persons per seat maximum.
- Never stand in front of or behind vehicle.
- Do not leave children unattended on vehicle.

CCI 102519301

WARNING

BATTERY EXPLOSION / FIRE CAN CAUSE SEVERE INJURY

- Do not contact positive (+) battery post or cable to frame.
- Disconnect negative (-) cable first.
- Negative (-) frame ground.

CCI 102517901

WARNING

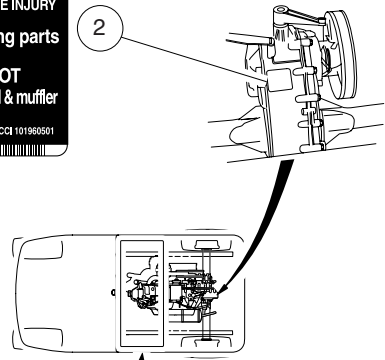
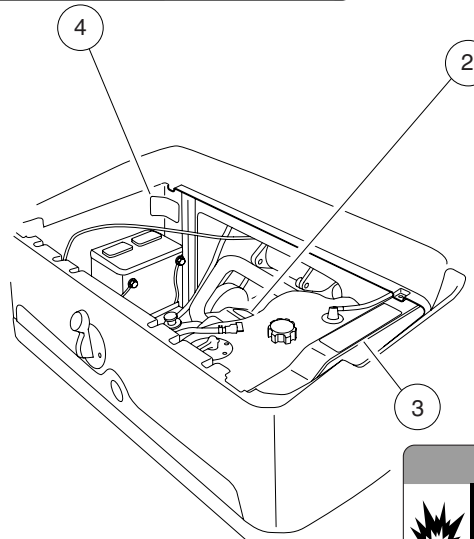
CAN CAUSE SEVERE INJURY

Rotating parts

HOT manifold & muffler

KEEP CLEAR

CCI 101960501



WARNING

GASOLINE EXPLOSION / FIRE CAN CAUSE SEVERE INJURY OR DEATH

- No sparks or open flame near fuel or fuel tank.
- No smoking near fuel or fuel tank.
- Stop engine and allow to cool before refueling.
- Turn fuel valve (—) on during operation.
- Turn fuel valve (—) off during storage or transport.

EXCESSIVE SPEED CAN CAUSE SEVERE INJURY OR DEATH

- Do not tamper with engine governor adjustment.

CCI 102517801

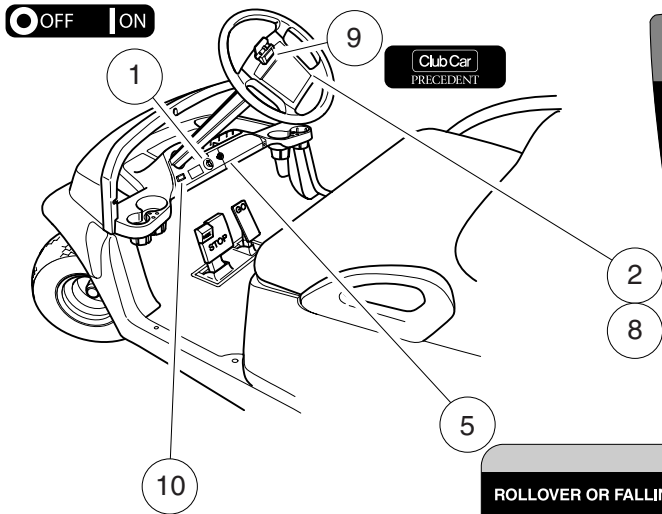
CE

000444-001

DECALS – GASOLINE VEHICLE

ITEM	PART NO.	DESCRIPTION	QTY
		1 2 3 4	
1	101825101	Decal, Off/On	1
2	101960501	Decal, Rotating Parts/Hot Manifold	2
3	102517801	Decal, Warning - Gas and Govenor	1
4	102517901	Decal, Warning - Frame Ground	1
5	102519201	Decal, Operating Instr, Gas	1
6	102519301	Decal, Warning, Rollover	1
7	102538101	Decal, Operating Instructions	1
8	102540901	Decal, Club Car Clip	1
		Note: Item 7 not shown.	

3
G
E



OPERATING INSTRUCTIONS

- Read owner's manual and dash-mounted safety warnings prior to driving.
- Study and understand controls.

TO OPERATE

- Turn wheels to desired direction and ensure path is clear.
- Turn key to ON position.
- While stopped, place Forward/Reverse switch in desired position: F=Forward N=Neutral R=Reverse (Buzzer will sound)
- Park brake will release and vehicle will start moving when accelerator pedal is pressed.
- Slowly press accelerator pedal to increase speed.
- To stop, release accelerator pedal and press brake pedal.

BEFORE LEAVING

- Press park brake pedal until it locks and holds vehicle.
- Place Forward/Reverse switch in NEUTRAL position.
- Turn key OFF and remove key when not in use.

MOTOR BRAKING

- Electric motor braking provides speed regulation functions.
- For parked vehicle, beeping alarm indicates vehicle roll away.
- In operation, beeping alarm indicates reduction in motor braking.
- Apply brakes to further reduce vehicle speed as required.
- System is activated only when tow switch is in the RUN position.
- When towing this vehicle, tow switch must be in the TOW position.

CC1 102518001

IMPORTANT NOTICE

This vehicle does not conform to ANSI Z130.1 - "Standard for Golf Cars - Safety and Performance Requirements" because it is capable of speeds in excess of 15 miles per hour. Exercise caution.

CC1 10255901

WARNING

ROLLOVER OR FALLING OFF MAY CAUSE SERIOUS INJURY OR DEATH.

- Before using vehicle, read operating instructions.
- Do not start vehicle until all occupants are seated.
- Keep entire body inside vehicle while moving.
- Drive slowly in turns and straight up and down slopes.
- Use brakes to reduce speed when coasting downhill.
- Never operate under the influence of alcohol or drugs.
- For use by authorized persons in designated areas only.
- Remain seated while moving.
- Operate from driver side only.
- Never operate on public roads.
- Hold on to seat handle while moving.
- Two (2) persons per seat maximum.
- Never stand in front of or behind vehicle.
- Do not leave children unattended on vehicle.

CC1 102518201

WARNING

HEAVY LIFTING CAN CAUSE SEVERE PERSONAL INJURY

- The weight of each 12-volt battery is in excess of 80 lb (36.3 kg).
- Lift batteries only with the aid of an assistant.

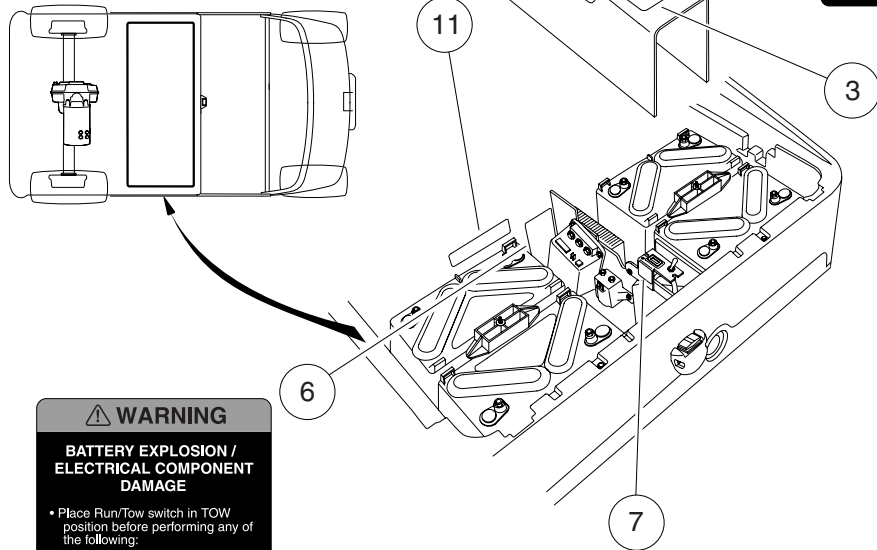
CC1 102338501

CAUTION

EXPOSURE TO WATER MAY DAMAGE ELECTRONIC COMPONENTS

- Do not operate vehicle without this cover properly installed.
- Do not direct water stream in the area of the cover without cover securely in place.
- See vehicle maintenance and service manual before servicing.

CC1 102518101



WARNING

BATTERY EXPLOSION COULD RESULT IN SEVERE PERSONAL INJURY

- Do not store items in battery compartment.
- Place Run/Tow switch in TOW position before performing any of the following:
 - Disconnecting or connecting battery cables
 - Towing this vehicle
 - Extended storage
 - Servicing the vehicle

CC1 102518101

WARNING

BATTERY EXPLOSION / ELECTRICAL COMPONENT DAMAGE

- Place Run/Tow switch in TOW position before performing any of the following:
 - Disconnecting or connecting battery cables
 - Towing this vehicle
 - Extended storage
 - Servicing the vehicle
- Do not store items in battery compartment.
- Do not operate vehicle without the cover properly installed.
- Keep electronic components dry.
- See vehicle maintenance and service manual before servicing.

CC1 102519401

WARNING

SHORTING OF BATTERY TERMINALS CAN CAUSE PERSONAL INJURY OR DEATH.

- Do not place component mounting plate directly on top of batteries, when removing or installing plate.
- Remove plate from vehicle completely.

102527501

000441-001

DECALS – ELECTRIC VEHICLE

ITEM	PART NO.	DESCRIPTION	QTY
		1 2 3 4	
1	101825101	Decal, Off/On	1
2	102518001	Decal, Operating Instr, Elec	1
3	102518101	Decal, Run/Tow with Storage Area	1
4	102518301	Decal, Caution, Electrical Component Cover	1
5	102519301	Decal, Warning, Rollover	1
6	102519401	Decal, Run/Tow Safety, IQ	1
7	102527501	Decal-component Mounting Plate	1
8	102538201	Decal, Operating Instructions	1
9	102540901	Decal, Club Car Clip	1
10	102555901	Decal, Private Speed, Prec	1
11	103238501	Decal, Warning -battery Weight	1
		Note: Item 8 not shown.	

3
G
E

3

G

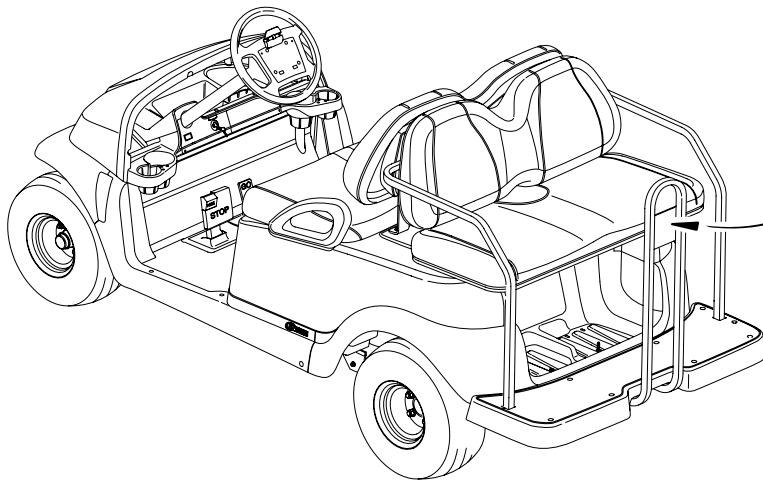
E

 **WARNING**

**FALLING OFF COULD RESULT
IN SEVERE INJURY OR DEATH**

- Remain seated with entire body inside vehicle and hold on to seat handle or handrail at all times.
- Two (2) persons per bench seat maximum.
- One (1) person per bucket seat maximum.
- Do not leave children unattended on vehicle at anytime.
- Never stand in front of or behind vehicle.

CCI 101705701



000495-001

DECAL – PRECEDENT VILLAGER 4

ITEM	PART NO.	DESCRIPTION	QTY
1	101705701	1 2 3 4 Decal, Warning	4

3
G
E

3

G

E

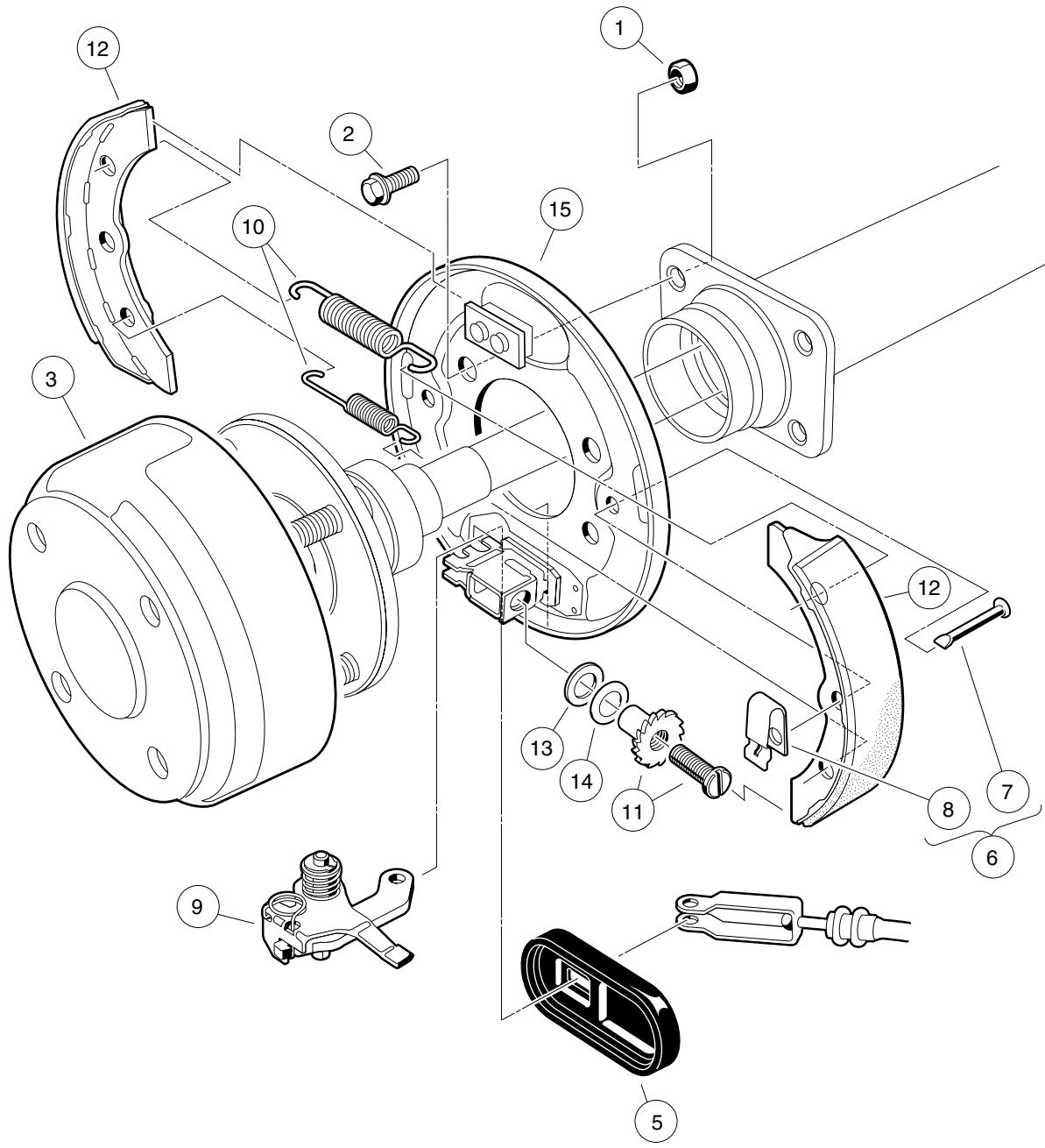
BRAKES AND PEDAL GROUP ASSEMBLIES

4

G

E

4
G
E



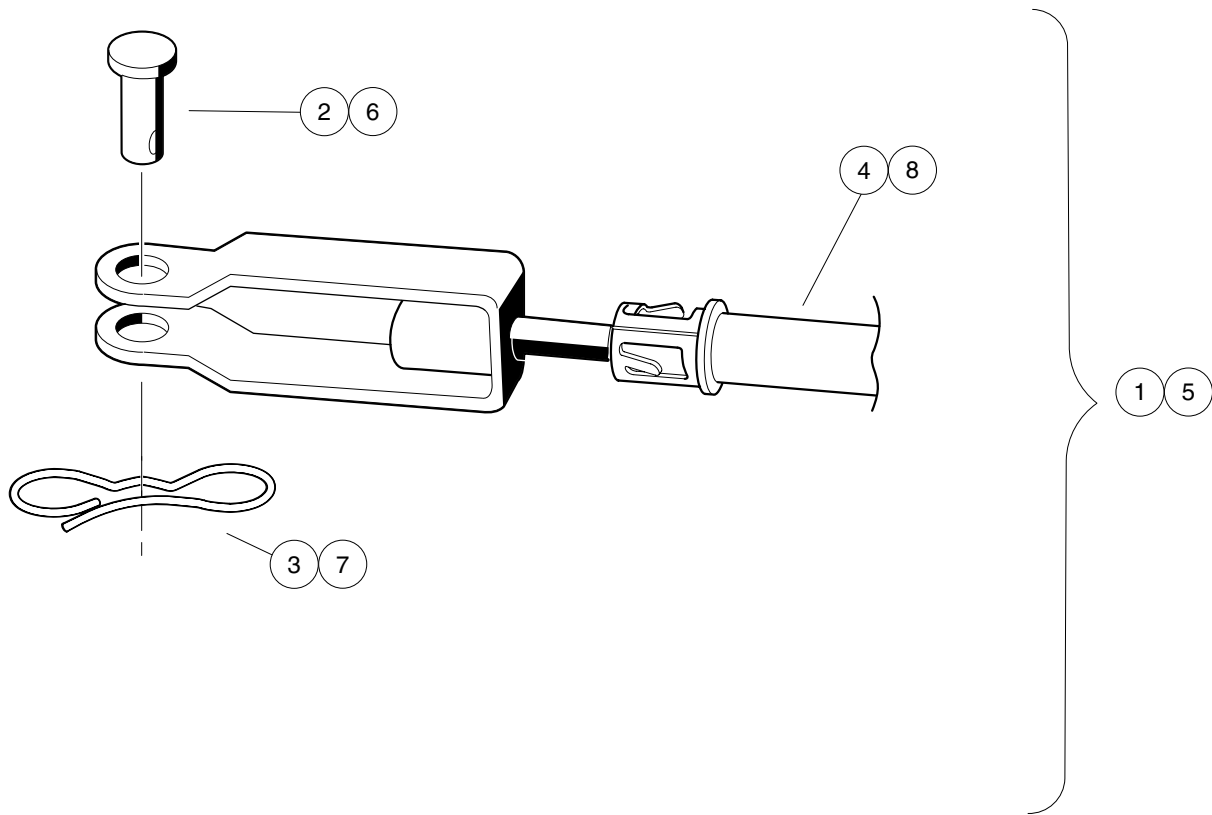
000186-001

REAR BRAKE ASSEMBLY, SELF-ADJUSTING

ITEM	PART NO.	DESCRIPTION	QTY
		1 2 3 4	
1	1013924	Nut, 5/16-24 Hex Head Cone	8
2	1014153	Bolt, Brake Cluster Mounting	8
3	101791101	Drum without Center Hole, Brake	2
4	101823301	Cluster Assembly, Right (Passenger) Brake (includes items 5 through 15)	1
5	1010850	Dust Cover	1
6	1011466	Kit, Shoe Retainer (includes items 7 and 8)	1
7	N/A	Pin	2
8	N/A	Shoe Clamp Spring	2
9	101815501	Lever Assembly, Self-Adjusting Brake, Right (Passenger)	1
10	101816301	Package, Brake Spring, Self-Adjusting	1
11	101816501	Adj Mechanism, S.A. Brakes, Right (Passenger)	1
12	101823201	Package, Brake Shoe, Self-Adjusting	1
13	101823801	Plate, Washer, Brake, Self-Adjusting	1
14	101823901	Washer, Brake, Self-Adjusting	1
15	101824001	Plate Assembly, Right Brake Backing	1
16	101823302	Cluster Assembly, Left Brake (includes items 17 through 27)	1
17	1010850	Dust Cover	1
18	1011466	Kit, Shoe Retainer (includes items 19 and 20)	1
19	N/A	Pin	2
20	N/A	Shoe Clamp Spring	2
21	101815502	Lever Assembly, Self-Adjusting Brake, Left	1
22	101816301	Package, Brake Spring, Self-Adjusting	1
23	101816502	Adjusting Mechanism, Self-Adjusting Brake, Left	1
24	101823201	Package, Brake Shoe, Self-Adjusting	1
25	101823801	Plate, Washer, Brake, Self-Adjusting	1
26	101823901	Washer, Brake, Self-Adjusting	1
27	101824002	Plate Assembly, Left Brake Backing	1
		Note: Driver-side brake cluster not shown. Components have a similar appearance to passenger-side brake cluster components.	

4
G
E

4
G
E



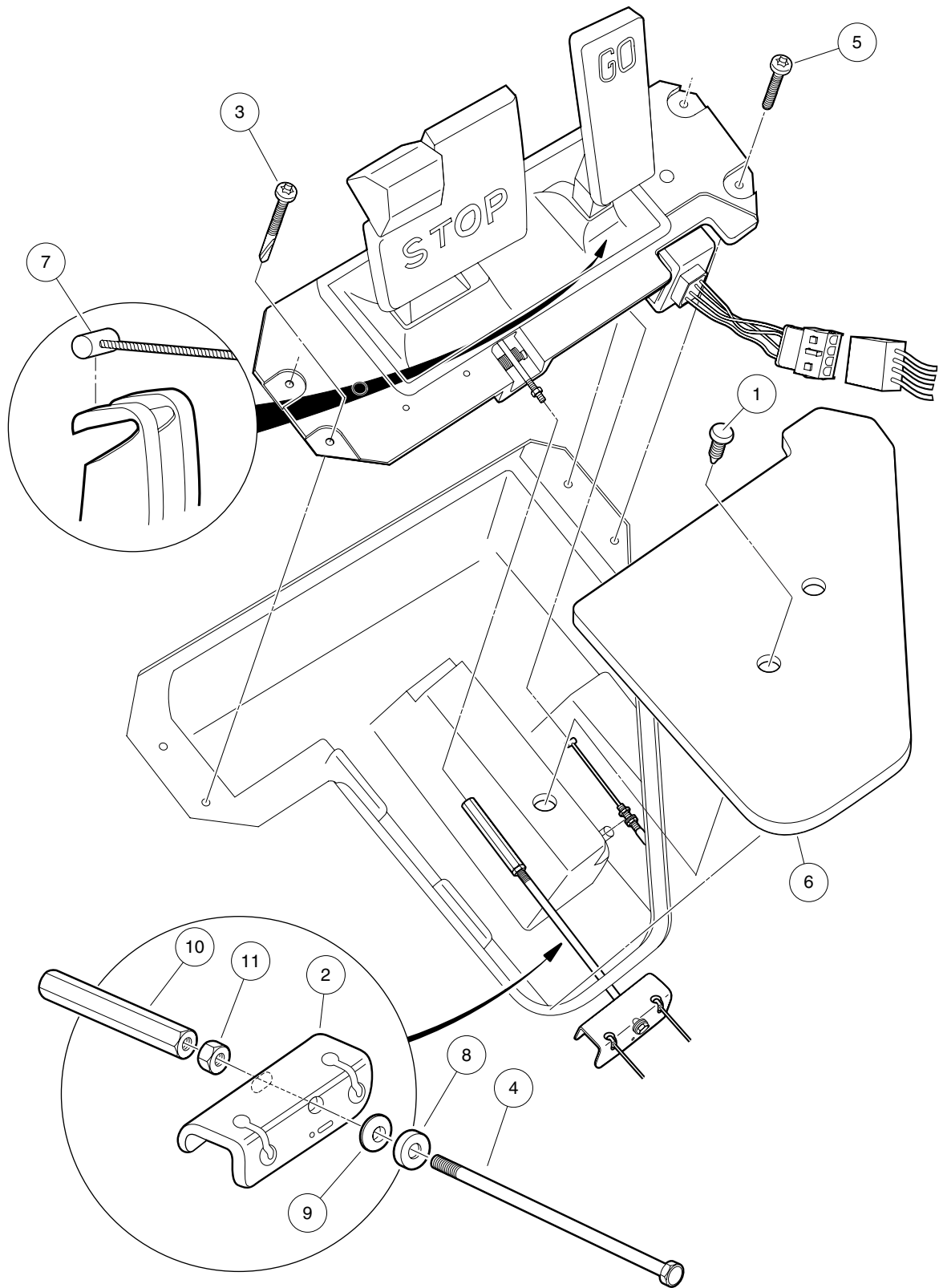
000467-001

BRAKE CABLES

ITEM	PART NO.	DESCRIPTION	QTY
		1 2 3 4	
1	102557501	Brake Cable Kit, Precedent Right-Hand (includes items 2 through 4)	1
2	1010829	Pin, Clevis, 5/16 X 3/4	1
3	102292801	Pin, Bow Tie Locking - .072	1
4	N/A	Brake Cable (Right)	1
5	102557502	Brake Cable Kit, Precedent Left-Hand (includes items 6 through 8)	1
6	1010829	Pin, Clevis, 5/16 X 3/4	1
7	102292801	Pin, Bow Tie Locking - .072	1
8	N/A	Brake Cable (Left)	1

4
G
E

4
G
E



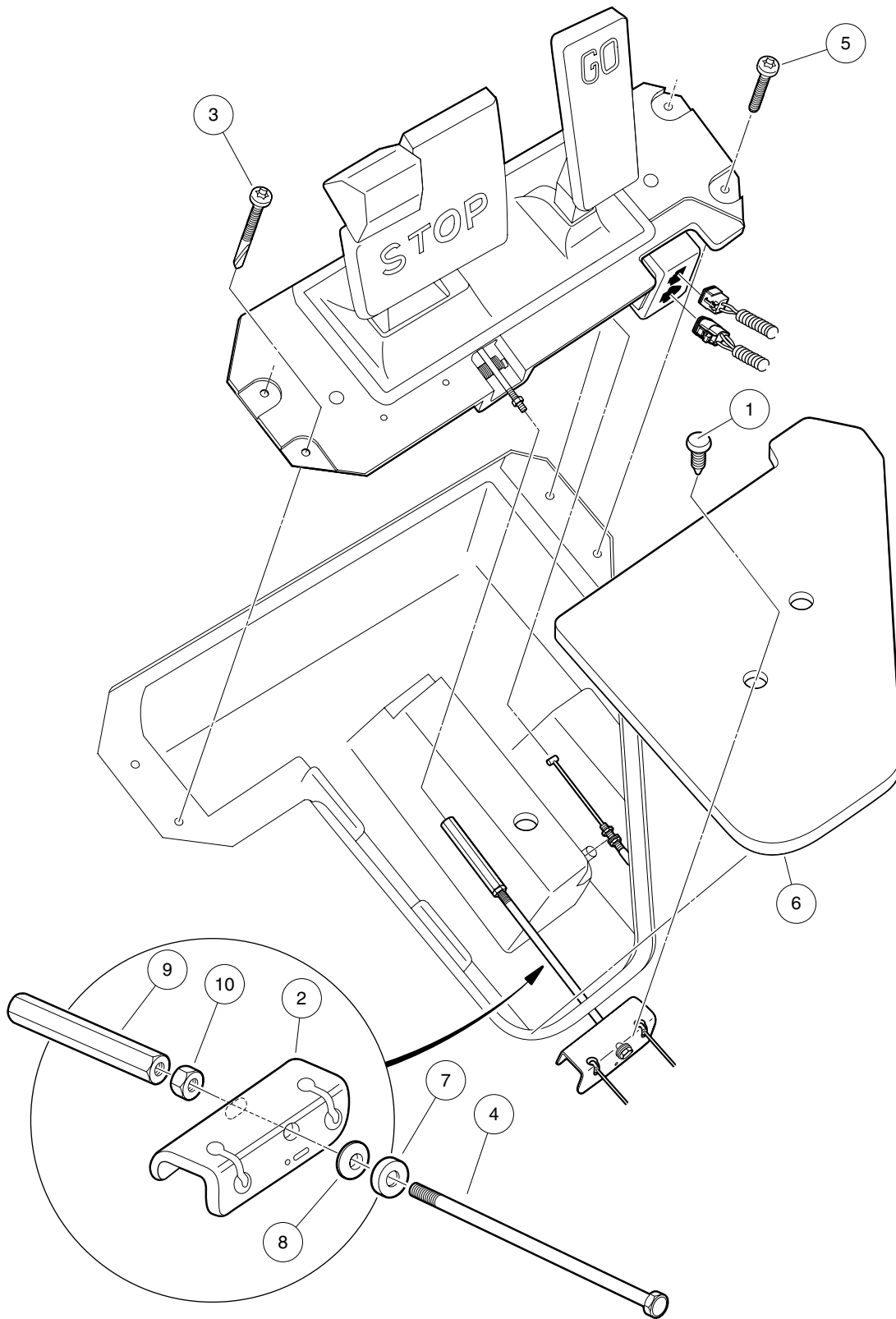
000443-001

PEDAL GROUP CONNECTIONS – GASOLINE VEHICLE

ITEM	PART NO.	DESCRIPTION	QTY
		1 2 3 4	
1	1010434	Barrel - Plastic	1
2	101990802	Equalizer Bracket	1
3	102292201	Screw-1/4-20x1.25 Torx Pn Hdsd	2
4	102297901	Bolt, 5/16-18 X 7.375, Hex	1
5	102298030	Screw, K80x30, Torx Pn Hd Pt	2
6	102500801	Plate - Floor Cover	1
7	102513102	Cable, Acc, Snap-in	1
8	102551901	Washer, 5/16, Self Comp, Cup	1
9	102552001	Washer, 5/16, Self Comp, Cone	1
10	102594301	Nut, 5/16-18, Hex Adjusting -l	1
11	1242	Nut, 5/16-18 Hex	1

4
G
E

4
G
E



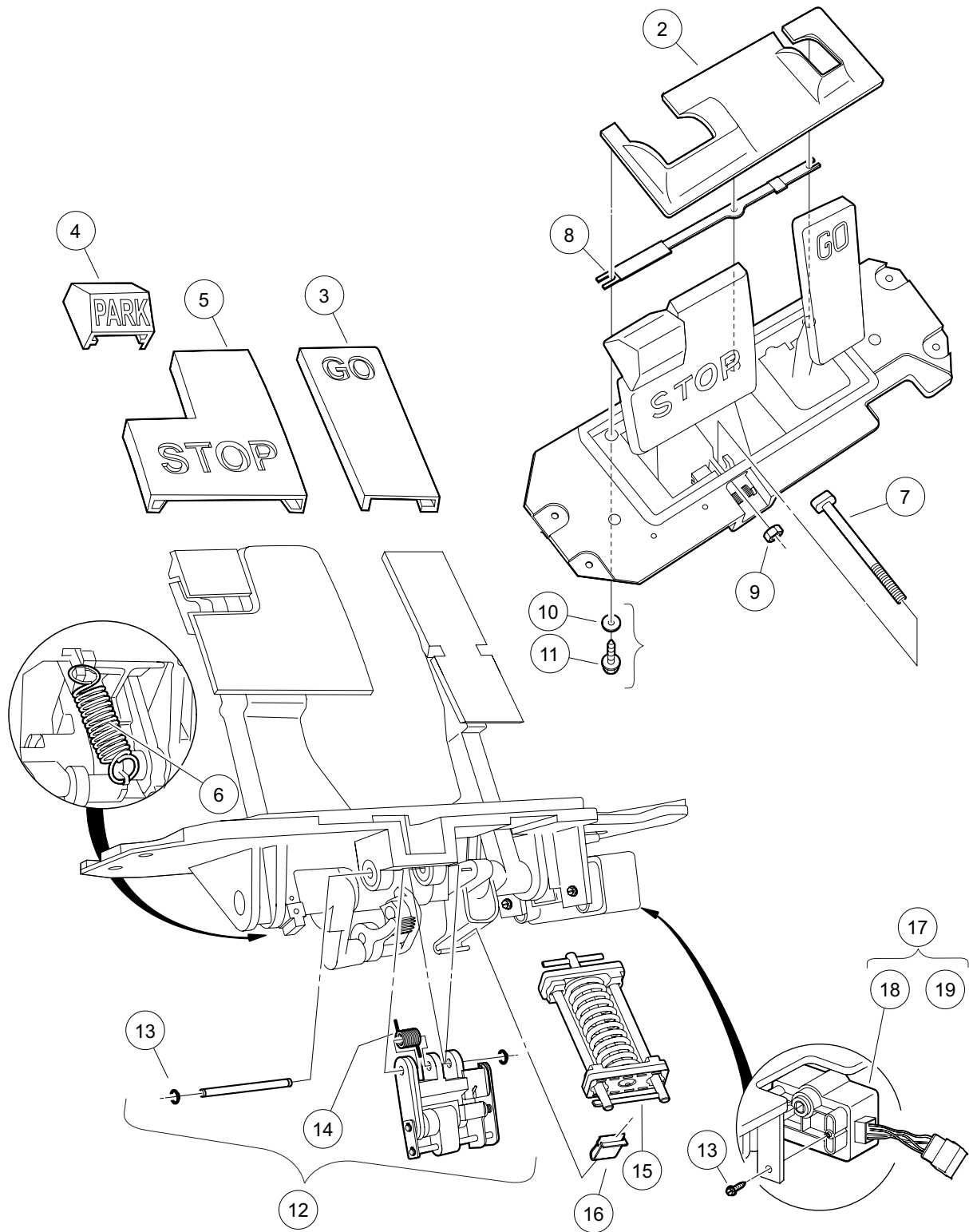
000442-001

PEDAL GROUP CONNECTIONS – ELECTRIC VEHICLE

ITEM	PART NO.	DESCRIPTION	QTY
		1 2 3 4	
1	1010434	Barrel - Plastic	1
2	101990802	Equalizer Bracket	1
3	102292201	Screw-1/4-20x1.25 Torx Pn Hdsd	2
4	102297901	Bolt, 5/16-18 X 7.375, Hex	1
5	102298030	Screw, K80x30, Torx Pn Hd Pt	2
6	102500801	Plate - Floor Cover	1
7	102551901	Washer, 5/16, Self Comp, Cup	1
8	102552001	Washer, 5/16, Self Comp, Cone	1
9	102594301	Nut, 5/16-18, Hex Adjusting -l	1
10	1242	Nut, 5/16-18 Hex	1

4
G
E

4
G
E



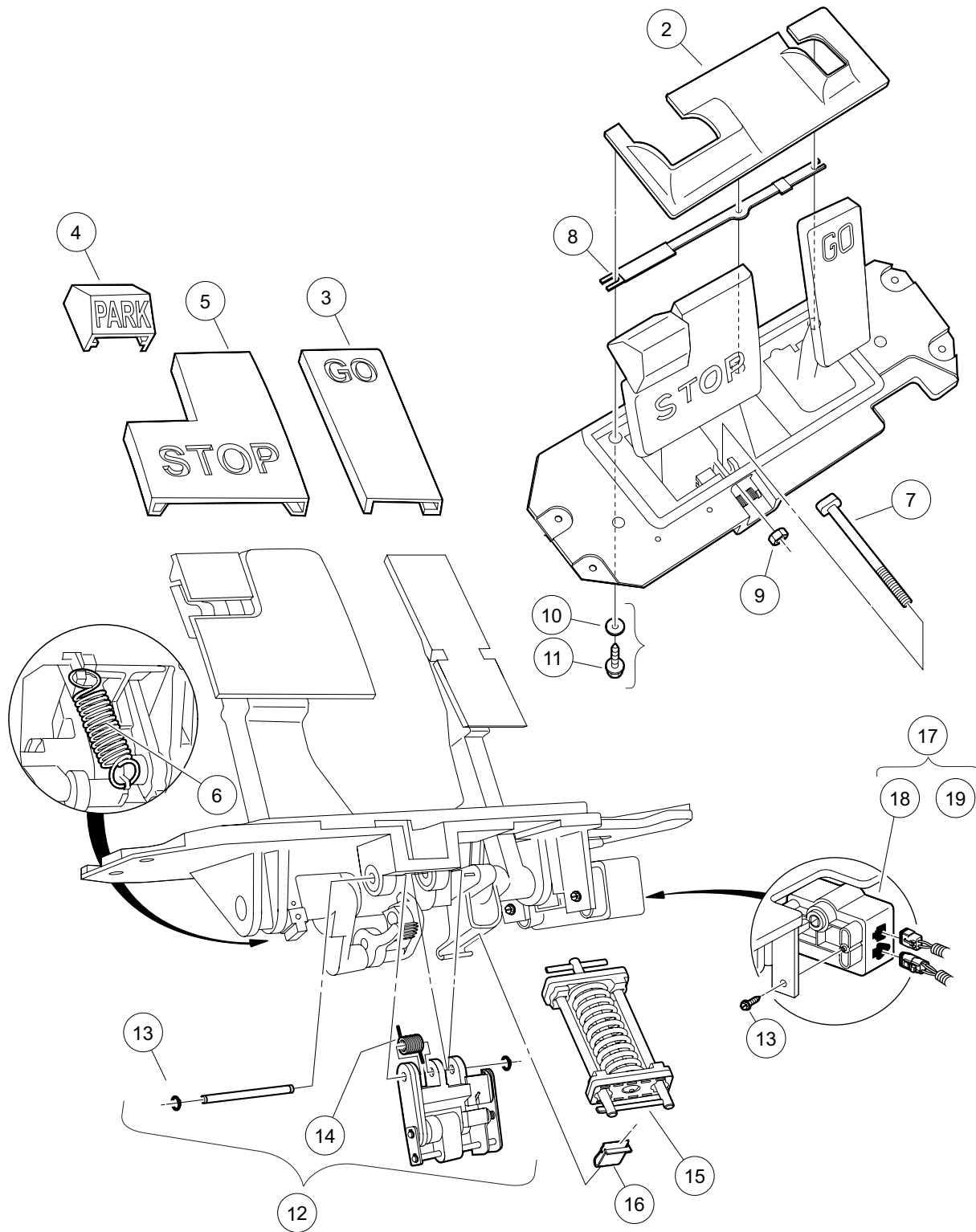
000487-001

PEDAL GROUP COMPONENTS – GASOLINE VEHICLE

ITEM	PART NO.	DESCRIPTION	QTY
		1 2 3 4	
1	102500101	Asm, Pedal Box Gas (includes items 2 through 17)	1
2	102558801	Shield, Debris	1
3	102558901	Pad, Pedal, Accelerator	1
4	102559001	Pad, Pedal, Park	1
5	102559101	Pad, Pedal, Brake	1
6	102559301	Spring, Brake, Return	1
7	102559401	Rod, Brake	1
8	102559601	Shield, Debris, Aux	1
9	102559701	Nut, Brake Rod	1
10	102563001	Washer, Std Fender, #10	3
11	102563101	Screw, Type A, #10	5
12	102587401	Assembly Pawl Lock Headed Pins (includes items 13 and 14)	1
13	102587501	Clip, Push, Pawl	2
14	103344301	Spring, Pawl Return	1
15	102588701	Kit, Pedal Spring	1
16	102588901	Clip, U	1
17	103327701	Kit, Gcor (includes items 18 and 19)	1
18	N/A	GCOR, Prec	1
19	103327801	Instr, Kit Gcor/mcor	1

4
G
E

4
G
E



000488-001

PEDAL GROUP COMPONENTS – ELECTRIC VEHICLE

ITEM	PART NO.	DESCRIPTION	QTY
		1 2 3 4	
1	102500001	Asm, Pedal Box Elec (includes items 2 through 17)	1
2	102558801	Shield, Debris	1
3	102558901	Pad, Pedal, Accelerator	1
4	102559001	Pad, Pedal, Park	1
5	102559101	Pad, Pedal, Brake	1
6	102559301	Spring, Brake, Return	1
7	102559401	Rod, Brake	1
8	102559601	Shield, Debris, Aux	1
9	102559701	Nut, Brake Rod	1
10	102563001	Washer, Std Fender, #10	3
11	102563101	Screw, Type A, #10	5
12	102587401	Assembly Pawl Lock Headed Pins (includes items 13 and 14)	1
13	102587501	Clip, Push, Pawl	2
14	103344301	Spring, Pawl Return	1
15	102588701	Kit, Pedal Spring	1
16	102588901	Clip, U	1
17	103327901	Kit, Mcor (includes items 18 and 19)	1
18	N/A	Mcor, Prec	1
19	103327801	Instr, Kit Gcor/mcor	1

4
G
E

4

G

E

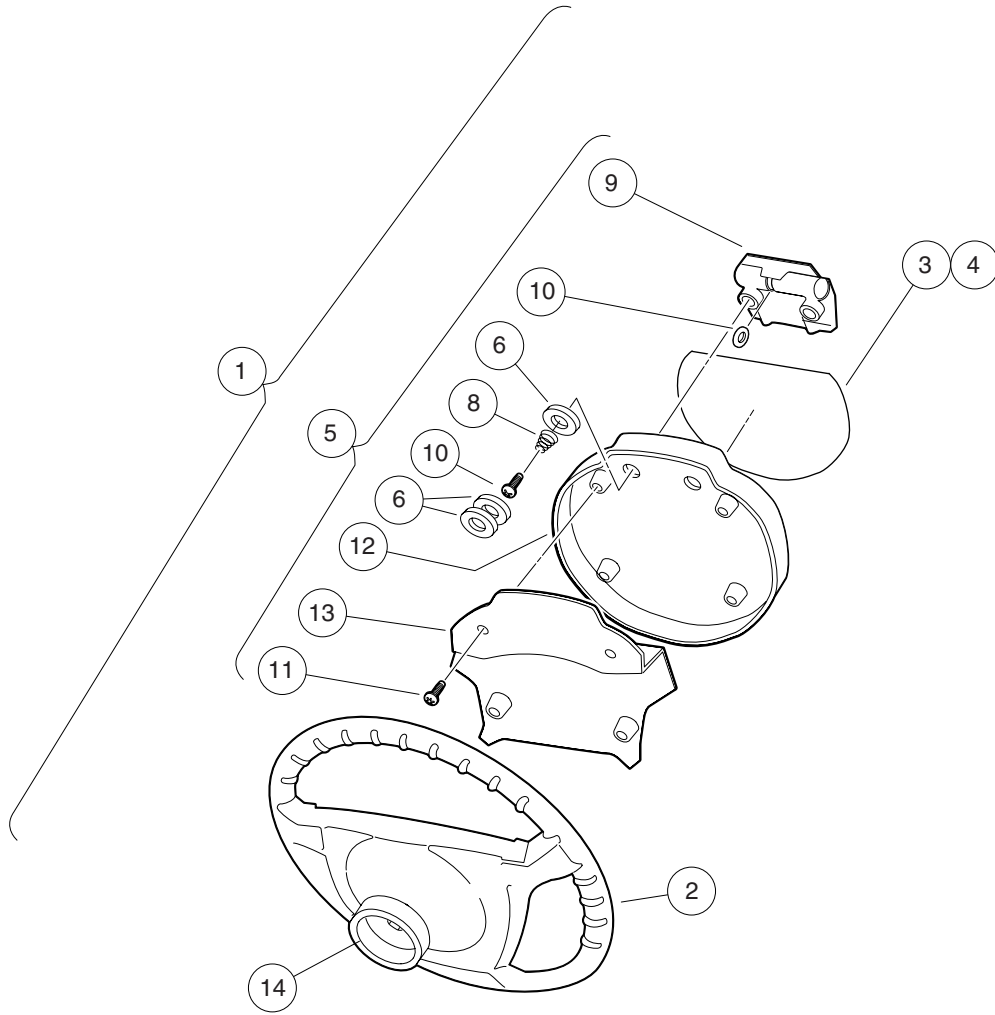
STEERING, FRONT AND REAR SUSPENSION

5

G

E

5
G
E

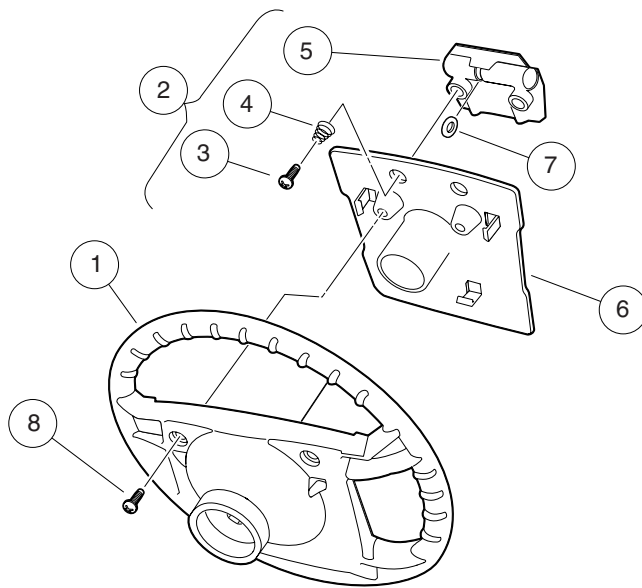


000470-001

STEERING WHEEL – CHAMPION

ITEM	PART NO.	DESCRIPTION	QTY
		1 2 3 4	
1	AM1229401	Kit, Comfort Grip Conv, Hex (includes items 2 through 14)	1
2	N/A	Steering Wheel, Comfort Grip, Hex	1
3	102538101	Decal, Operating Instructions	1
4	102538201	Decal, Operating Instructions	1
5	102540801	Scorecard Plate Assembly (includes items 6 through 13)	1
6	1011697	Washer, 5/16 Flat	6
7	1012565	Screw, #12 Phillips Round Head	2
8	1012566	Tapered Compression Spring	2
9	1016154	Clip, Scorecard	1
10	1016214	Pencil Grip	1
11	102296020	Screw, Torx Pan Hd Pt, M6 X 20	4
12	N/A	Scorecard Plate, Comfort Grip	1
13	N/A	Scorecard Back Plate	1
14	102571301	Shroud, Steering Column	1

5
G
E

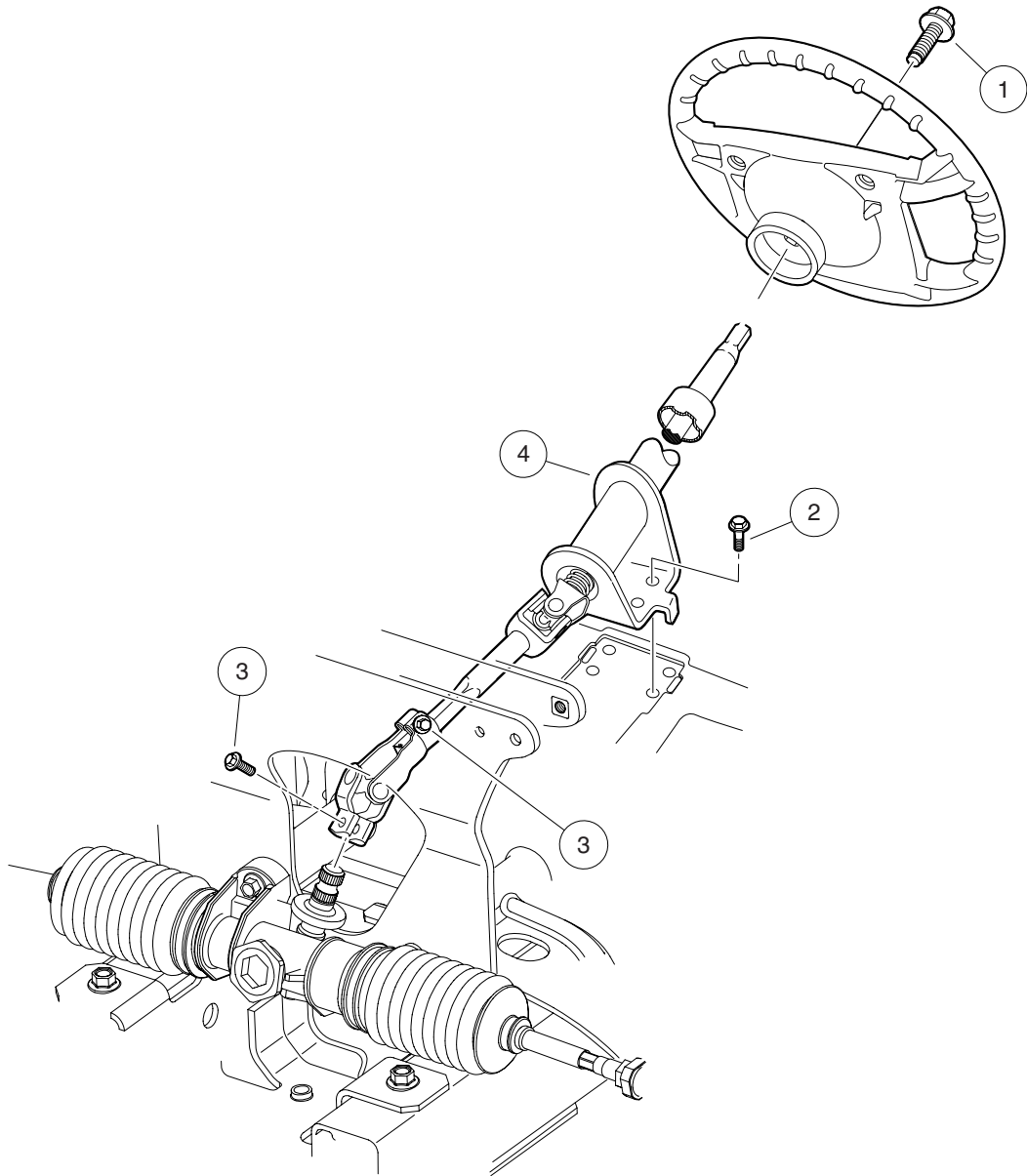


000471-001

STEERING WHEEL – PROFESSIONAL

ITEM	PART NO.	DESCRIPTION	QTY
		1 2 3 4	
1	101615602	Wheel Assy, Tri-Lobe Steering	1
2	1016219	Plate, Scorecard (includes items 3 through 7)	1
3	1012565	Screw, #12 Phillips Round Head	2
4	1012566	Tapered Compression Spring	2
5	1016154	Clip, Scorecard	1
6	N/A	Plate, Score Card	1
7	1016214	Pencil Grip	1
8	1016663	Screw, #12-14 X 0.625	2

5
G
E

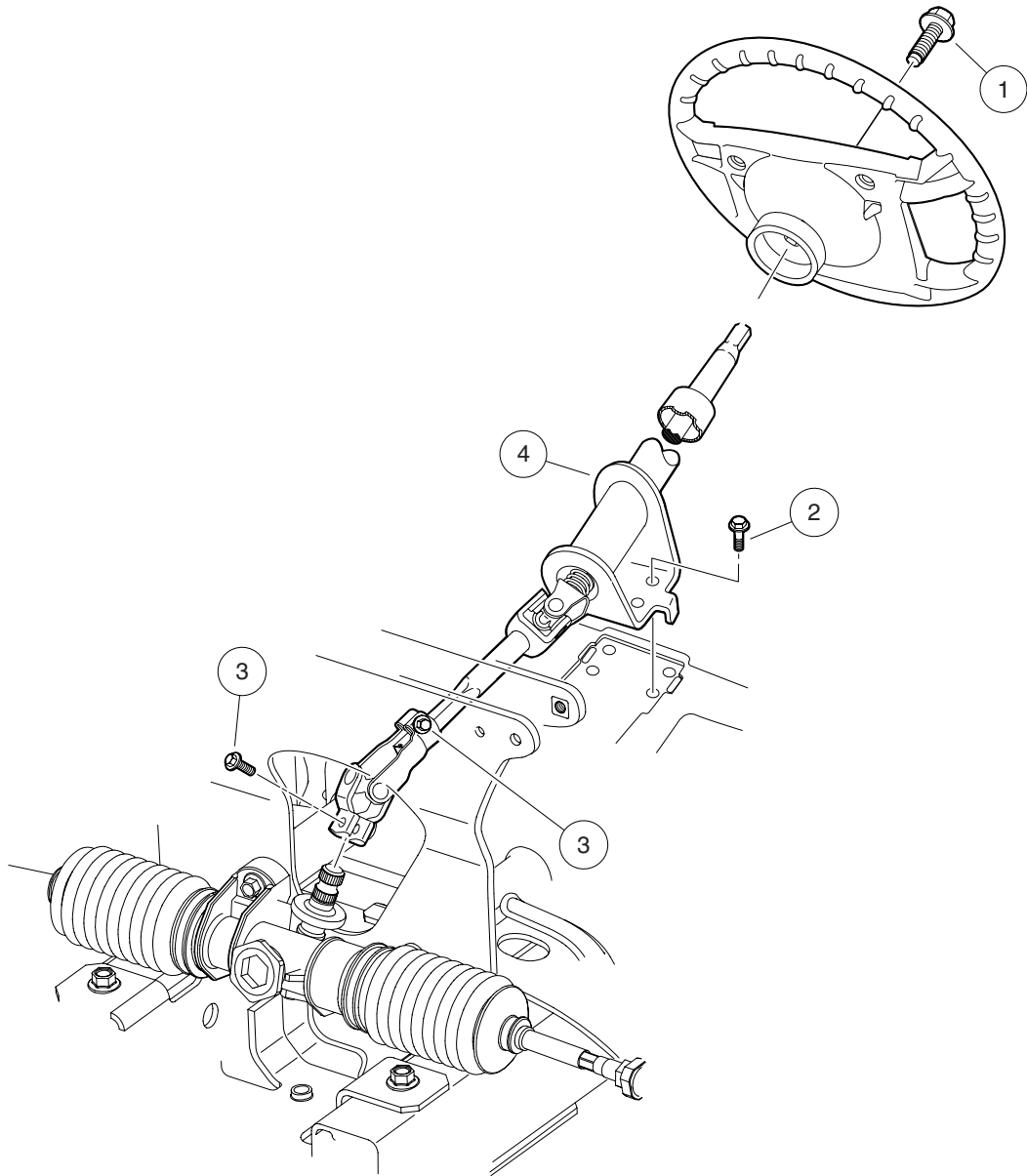


000469-002

STEERING COLUMN – GASOLINE VEHICLES

ITEM	PART NO.	DESCRIPTION	QTY
		1 2 3 4	
1	102290120	Bolt, M10 X 20 Hex Washer Hd	1
2	102298116	Bolt - Flanged Hd, M8 X 16.0	4
3	102298130	Bolt, Flange Head, M8 X 30.0	2
4	103209501	Assy, Steering Column, Ld	1

5
G
E



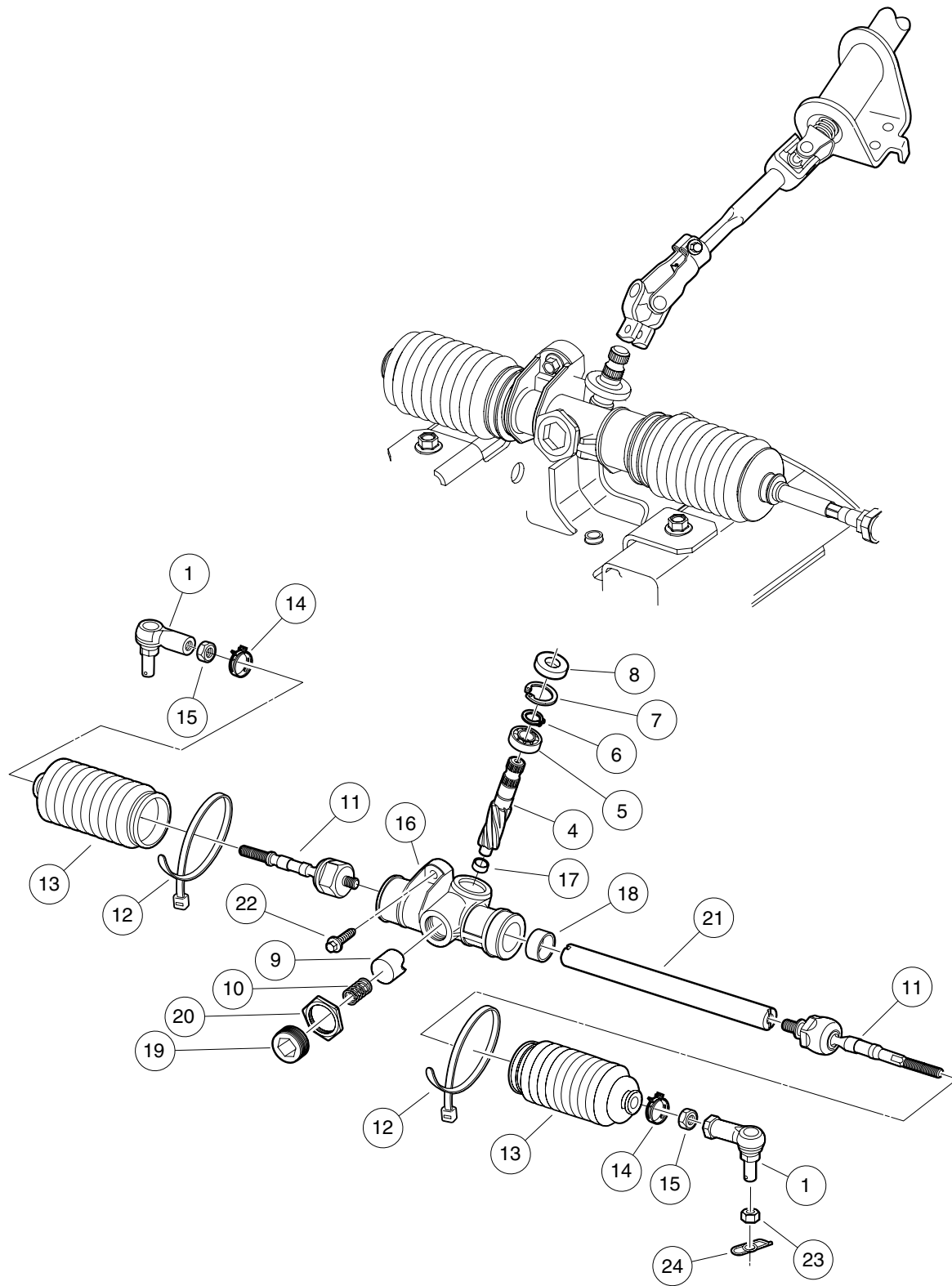
000469-001

STEERING COLUMN – ELECTRIC VEHICLES

ITEM	PART NO.	DESCRIPTION	QTY
		1 2 3 4	
1	102290120	Bolt, M10 X 20 Hex Washer Hd	1
2	102298116	Bolt - Flanged Hd, M8 X 16.0	4
3	102298130	Bolt, Flange Head, M8 X 30.0	2
4	102507101	Steering Column Assembly	1

5
G
E

5
G
E



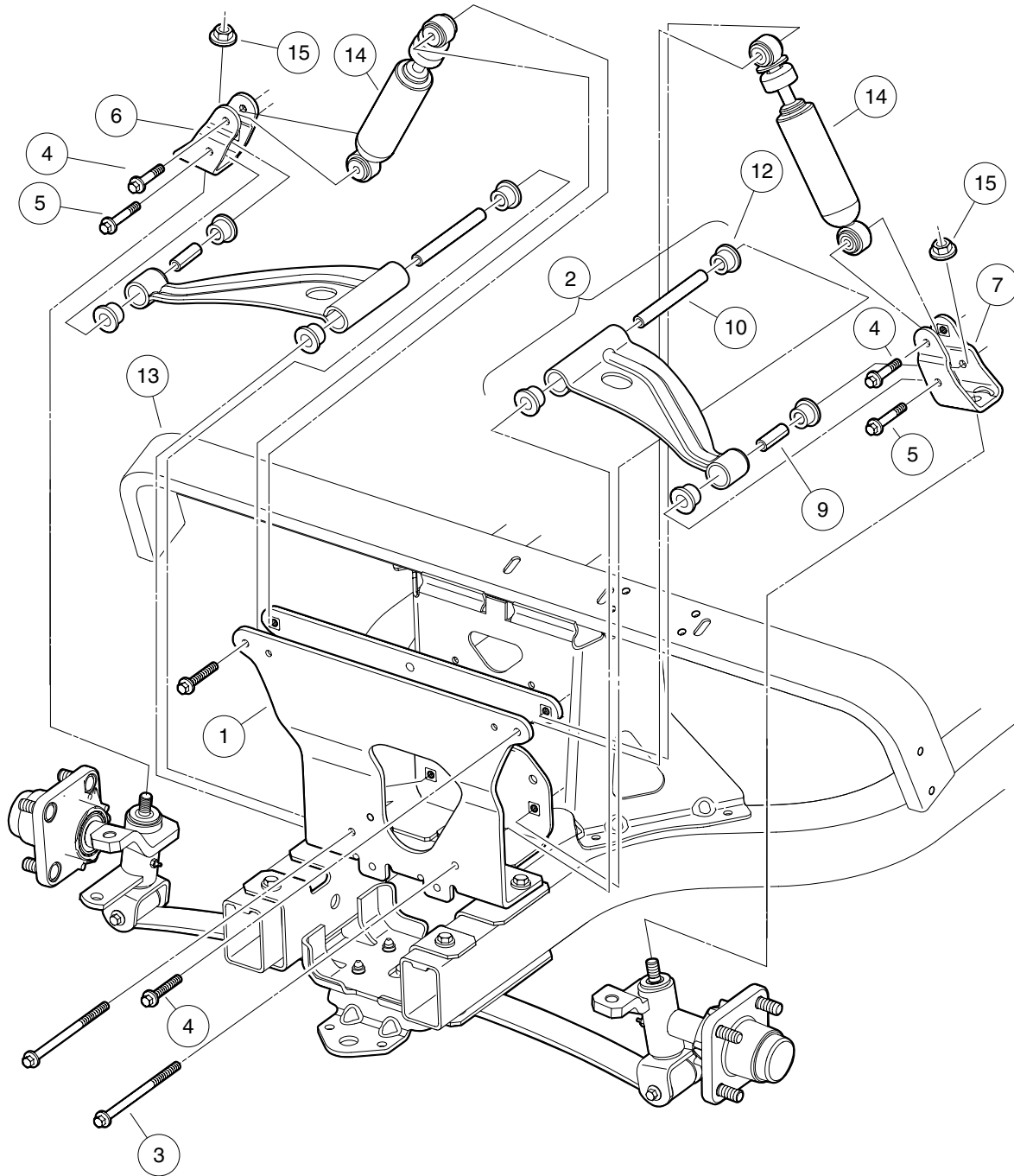
000476-001

STEERING GEAR ASSEMBLY

ITEM	PART NO.	DESCRIPTION	QTY
		1 2 3 4	
1	102022601	End, Tie Rod M12 X 1.25	2
2	102288601	Steering Gear Box Assembly (includes items 3 through 21)	1
3	102564901	Asm, Pinion, Steer Gear, Prec (includes items 4 through 6)	1
4	N/A	Pinion, Steering	1
5	N/A	Bearing, Ball	1
6	N/A	Ring, Retaining	1
7	102565101	Ring, C-type, Stop, Prec	1
8	102565201	Seal, Dust, Steering, Pinion	1
9	102565301	Yoke, Support	1
10	102565401	Spring, Yoke, Prec	1
11	102565701	Assy, Ball Joint, Inner, Prec	2
12	102565801	Wrap, Tie, Steel, Prec	2
13	102565901	Bellows, Steering	2
14	102566001	Clip, Steering, Prec	2
15	102566101	Nut,m12-1.25,jam,steer,prec	2
16	N/A	Housing, Pinion (includes items 17 and 18)	1
17	N/A	Bearing, Needle	1
18	N/A	Bushing, Rack	1
19	N/A	Plug, Yoke	1
20	N/A	Nut, Lock, Rack Screw	1
21	N/A	Rack, Steering	1
22	102289001	Screw, M8X1.25X30, Hex	3
23	102289201	Nut - Hex Locking, M12 X 1.25	2
24	102289301	Rue Ring - 1/2"	2

5
G
E

5
G
E



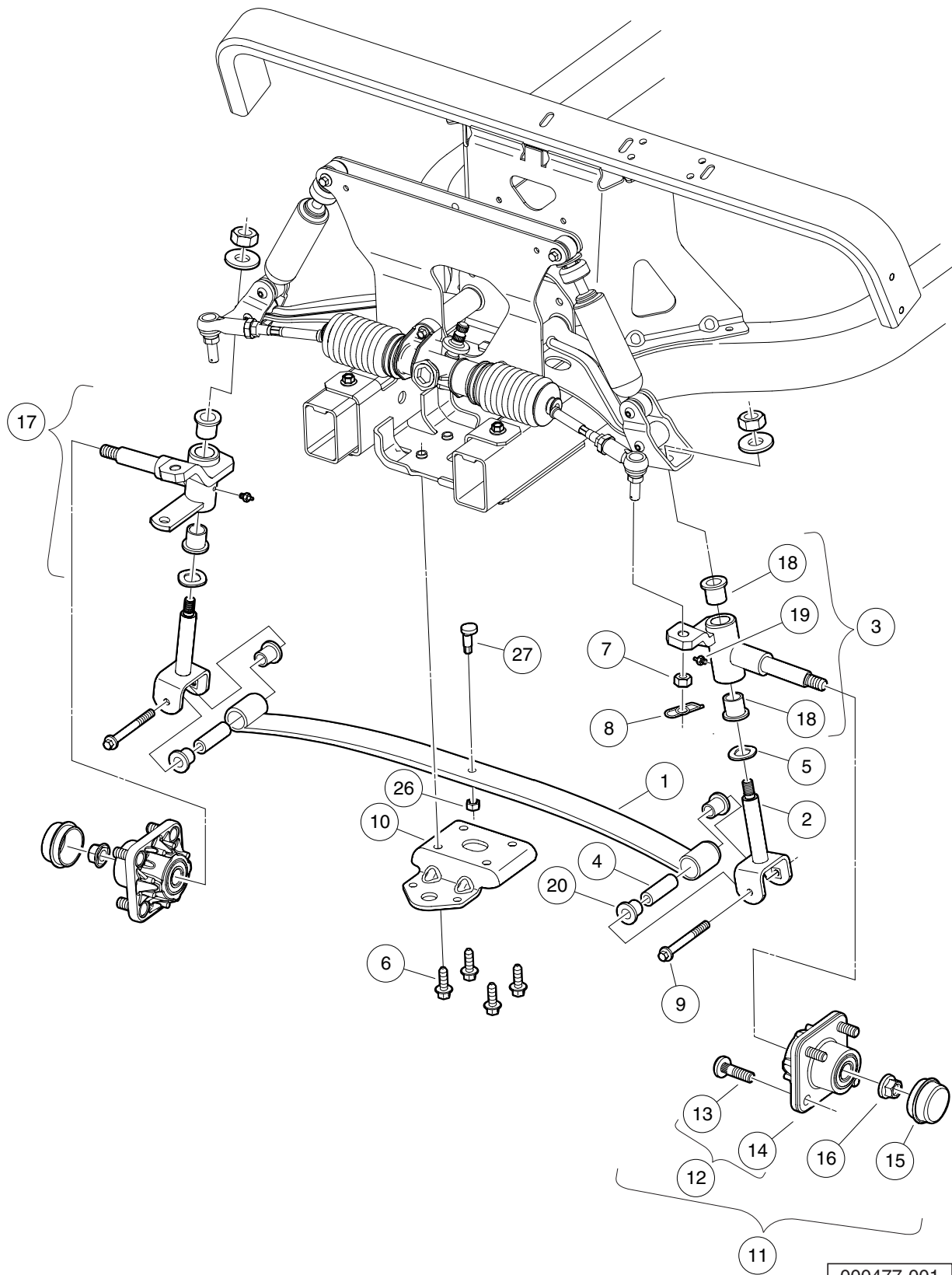
000445-001

FRONT SUSPENSION, UPPER

ITEM	PART NO.	DESCRIPTION	QTY
		1 2 3 4	
1	102287101	Assembly - Front Structure	1
2	102287301	Asm - Control Arm Bushing	2
3	102288901	Bolt-hex FI, M8 X 1.25 X 135	2
4	102289401	Screw- Hex Cap, M8 X 1.25 X 45	4
5	102289501	Screw- Hex Cap, M8 X 1.25 X 70	2
6	102289601	Upper Clevis Assembly - Rh	1
7	102289701	Upper Clevis Assembly - Lh	1
8	102289901	Kit, Susp, Bushing Joints (includes items 9 through 12)	1
9	102287601	Sleeve - Rolled, Outer	2
10	102287701	Sleeve - Rolled, Inner	2
11	102288101	Sleeve - Rolled, Spring	2
12	102956201	Bushings, Urethane, Short, Prec	12
13	102505701	Assembly, Dash Support	1
14	102588601	Shock Absorber Front Prv Spd	2
15	102878201	Nut, Lock,m12,washer,conical	2
<p style="margin-left: 40px;">Note: Item 2 includes bushings and sleeves. Item 8 (not shown) includes bushings and sleeves for control arms, and front suspension leaf spring. See lower suspension page for illustration of item 11.</p>			

5
G
E

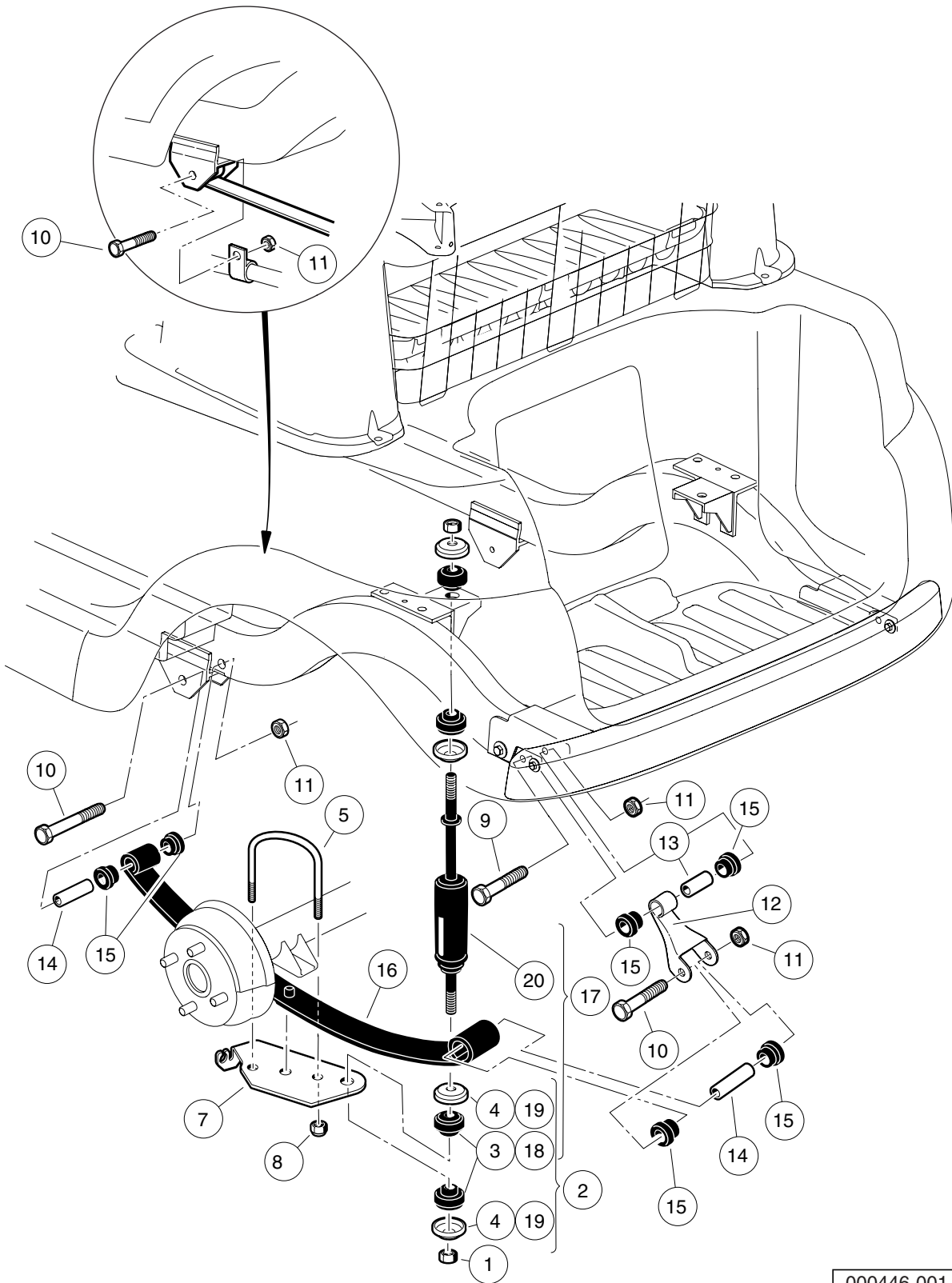
5
G
E



FRONT SUSPENSION, LOWER

ITEM	PART NO.	DESCRIPTION	QTY
		1 2 3 4	
1	1012030	Spring, Front Leaf	1
2	102287201	Assembly - King Pin	2
3	102287901	Knuckle Spindle Asm - Lh	1
4	102288101	Sleeve - Rolled, Spring	2
5	102288401	Wave Washer - Kingpin	2
6	102289101	Screw-m10x1.5, Trilob, Hex Fl	4
7	102289201	Nut - Hex Locking, M12 X 1.25	2
8	102289301	Rue Ring - 1/2"	2
9	102289501	Screw- Hex Cap, M8 X 1.25 X 70	2
10	102289801	Clamp - Leaf Spring	1
11	102357701	Replacement Kit, Front Hub (includes items 12 through 16)	1
12	N/A	Front Hub Assembly, Ball Bearing (includes items 13 and 14)	1
13	102353401	Lug Stud, 1/2-20 UNF, 4037 Stl	4
14	N/A	Hub, Front	1
15	102353201	Cap, Front Hub	1
16	102353301	Hex Nut, Locking Flange, M14x2	1
17	102878101	Assy, Knuckle, Right Side (includes items 18 and 19)	1
18	N/A	Bushings, Knuckle Spindle Asym	2
19	N/A	Fitting, Grease, Knuckle Spindle Asym	1
20	102956201	Bushing, Urethane, Short, Prec	4
21	102973801	Kit, Susp, Kingpin Joints (includes items 22 through 25)	1
22	102287201	Assembly - King Pin	2
23	102288201	Bushing - Flanged	4
24	102288401	Wave Washer - Kingpin	2
25	102878201	Nut, Lock,m12,washer,conical	2
26	706	Nut, Hex 3/8-16	1
27	8745	Screw, Eccentric Adjustment	1

5
G
E



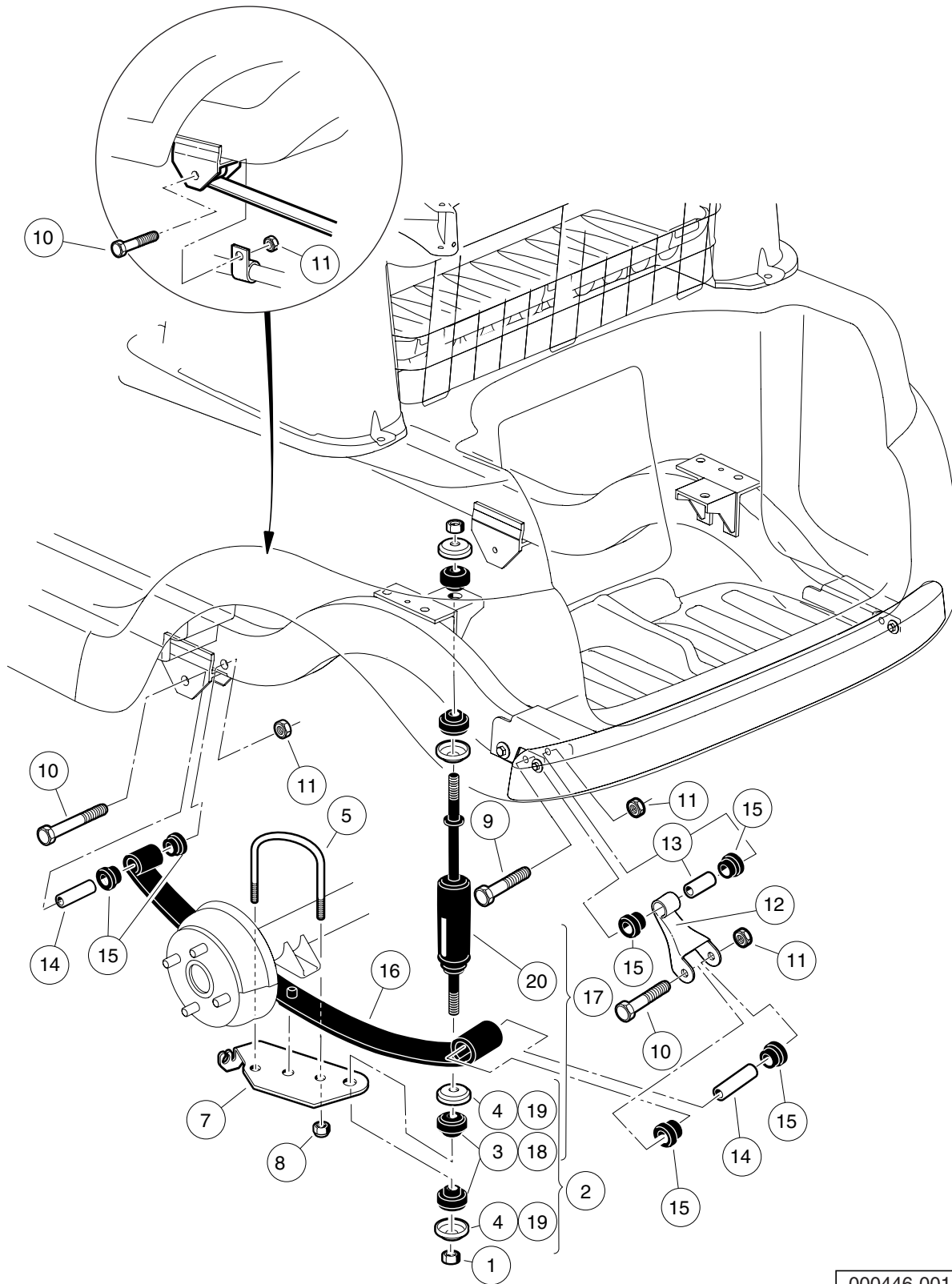
000446-001

REAR SUSPENSION – GASOLINE VEHICLE

ITEM	PART NO.	DESCRIPTION	QTY
		1 2 3 4	
1	1010145	Nut, 3/8-24 Hex	4
2	1011415	Kit, Shock Absorber Cushion (includes items 3 and 4)	2
3	N/A	Cushion, Shock Absorber	2
4	N/A	Retainer, Shock Absorber Cushion	2
5	1012180	U-Bolt	2
6	1012181	Bracket, Shock Mounting, Right (Passenger)	1
7	1012182	Bracket, Shock Mounting, Left (Driver)	1
8	1014555	Locknut, 7/16-14 Nylon Insert	4
9	102298170	Bolt - Flange Hd, M8 X 70.0	2
10	102298185	Bolt - Flange Hd, M8 X 85.0	4
11	102298401	Nut,m8,all Metal Lock	6
12	102506201	Shackle - Rear	2
13	102506301	Sleeve - Shackle Upper	2
14	102506401	Sleeve - Spring Eye Mounts	4
15	102506601	Bushing - Urethane	12
16	102513001	Rear Leaf Spring, Gas	2
17	N/A	Kit, Shock Absorber, Private Speed (includes items 18 through 20)	1
18	N/A	Cushion, Shock Absorber	8
19	N/A	Retainer, Shock Absorber Cushion	8
20	102588501	Shock Absorber Rear Prv Spd	2

5
G
E

5
G
E

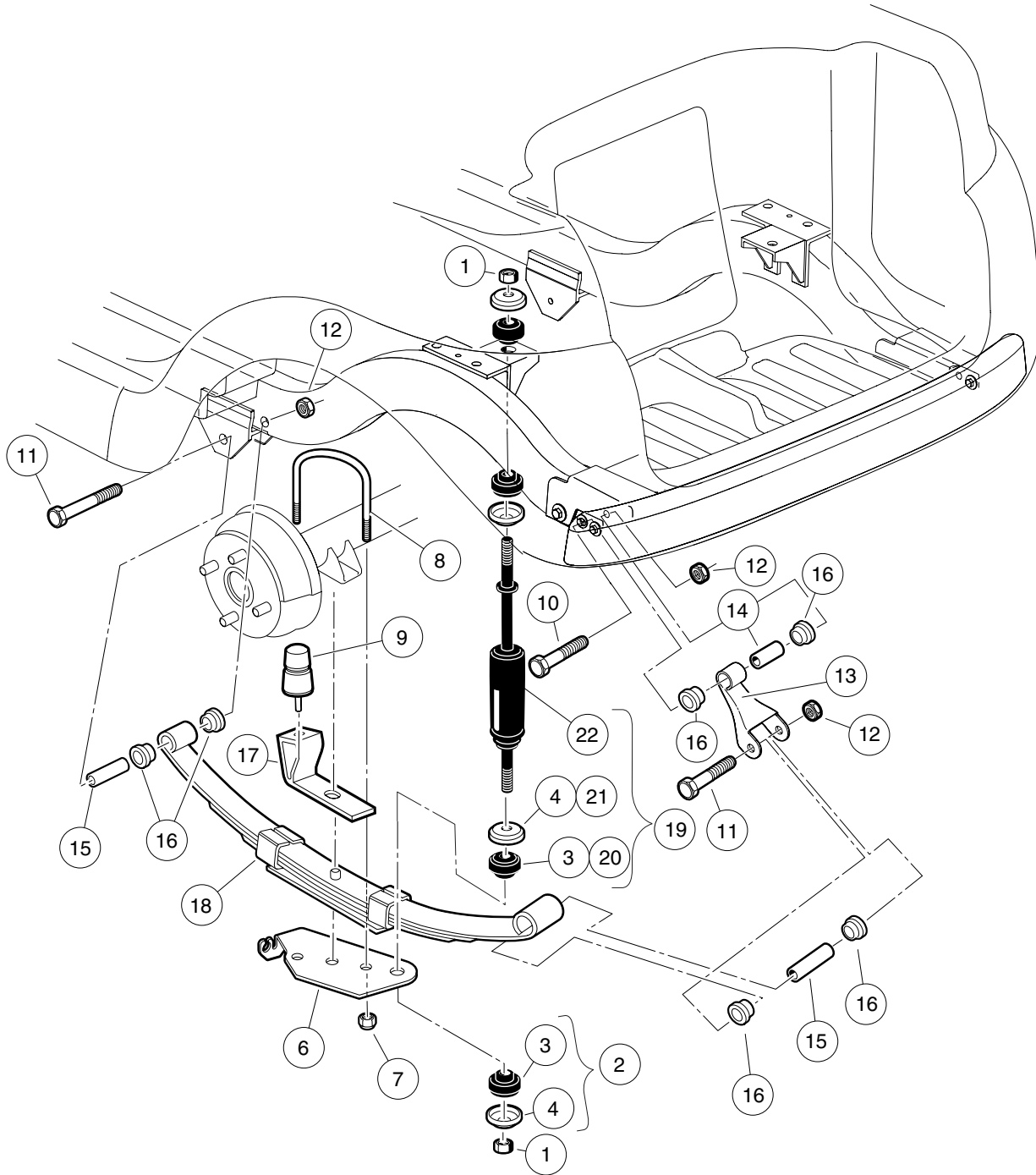


000446-001

REAR SUSPENSION – ELECTRIC VEHICLE

ITEM	PART NO.	DESCRIPTION	QTY
		1 2 3 4	
1	1010145	Nut, 3/8-24 Hex	4
2	1011415	Kit, Shock Absorber Cushion (includes items 3 and 4)	2
3	N/A	Cushion, Shock Absorber	2
4	N/A	Retainer, Shock Absorber Cushion	2
5	1012180	U-Bolt	2
6	1012181	Bracket, Shock Mounting, Right (Passenger)	1
7	1012182	Bracket, Shock Mounting, Left (Driver)	1
8	1014555	Locknut, 7/16-14 Nylon Insert	4
9	102298170	Bolt - Flange Hd, M8 X 70.0	2
10	102298185	Bolt - Flange Hd, M8 X 85.0	4
11	102298401	Nut,m8,all Metal Lock	6
12	102506201	Shackle - Rear	2
13	102506301	Sleeve - Shackle Upper	2
14	102506401	Sleeve - Spring Eye Mounts	4
15	102506601	Bushing - Urethane	12
16	102509301	Rear Leaf Spring, Elec	2
17	N/A	Kit, Shock Absorber, Private Speed (includes items 18 through 20)	1
18	N/A	Cushion, Shock Absorber	8
19	N/A	Retainer, Shock Absorber Cushion	8
20	102588501	Shock Absorber Rear Prv Spd	2

5
G
E



000492-001

REAR SUSPENSION – PRECEDENT VILLAGER 4

ITEM	PART NO.	DESCRIPTION	QTY
		1 2 3 4	
1	1010145	Nut, 3/8-24 Hex	4
2	1011415	Kit, Shock Absorber Cushion (includes items 3 and 4)	2
3	N/A	Cushion, Shock Absorber	2
4	N/A	Retainer, Shock Absorber Cushion	2
5	1012181	Bracket, Shock Mounting, Right (Passenger)	1
6	1012182	Bracket, Shock Mounting, Left (Driver)	1
7	1014555	Locknut, 7/16-14 Nylon Insert	4
8	1014902	U-Bolt	2
9	1017235	Bumper, Jounce	2
10	102298170	Bolt - Flange Hd, M8 X 70.0	2
11	102298185	Bolt - Flange Hd, M8 X 85.0	4
12	102298401	Nut,m8,all Metal Lock	6
13	102506201	Shackle - Rear	2
14	102506301	Sleeve - Shackle Upper	2
15	102506401	Sleeve - Spring Eye Mounts	4
16	102506601	Bushing - Urethane	12
17	102534801	Jounce Bumper Bracket	2
18	102544901	Spril, Leaf, Rear	2
19	N/A	Kit, Shock Absorber, Private Speed (includes items 20 through 22)	A/R
20	N/A	Cushion, Shock Absorber	8
21	N/A	Retainer, Shock Absorber Cushion	8
22	102588501	Shock Absorber Rear Prv Spd	2

5
G
E

5

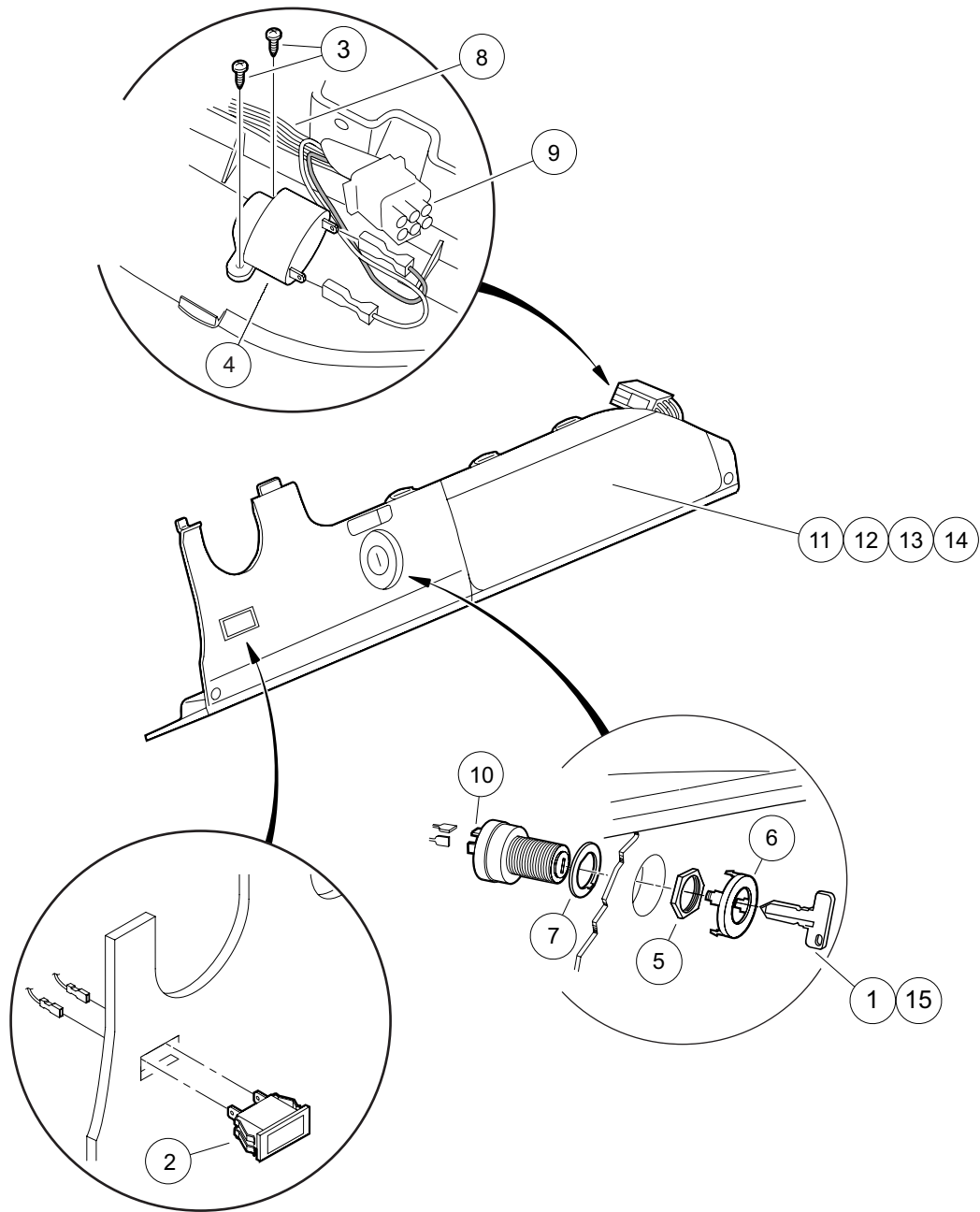
G

E

ELECTRICAL SYSTEM – GASOLINE VEHICLE

6

G



000490-002